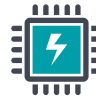


JUR101-TGU

11th Gen Intel® Core™
10.1" Rugged Tablet



KEY FEATURES



Powerful Processor

11th Gen Intel® Core™ Processors



Superior Viewing Ability

Optically bonded for increased visibility and strength



All-Day Usability

2 Hot swap batteries

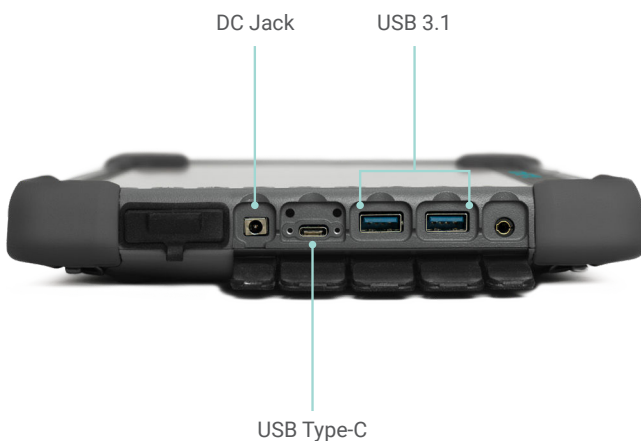


Rugged Design

Full IP65 & Comply MIL-STD-810H



PANEL

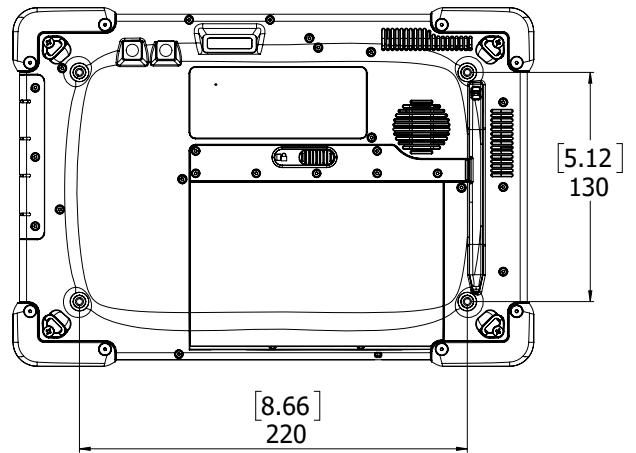
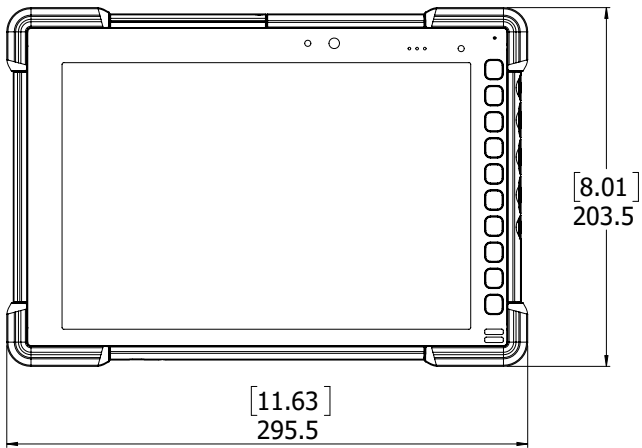


Bottom View

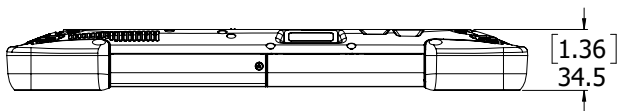


Rear View

DIMENSIONS



Accessory Mounting Screws 4X M4



SPECIFICATION

SYSTEM	Processor	11th Generation Intel® Core™ Processors Intel® Core™ i7-1185GRE, Quad Core, 12M Cache, 1.8GHz (4.4GHz), 15W Intel® Core™ i5-1145GRE, Quad Core, 8M Cache, 1.5GHz (4.1GHz), 15W Intel® Celeron® 6305E, Dual Core, 4M Cache, 1.8GHz (1.8GHz), 15W
	Memory	8 GB LPDDR4X RAM (Celeron model) 16 GB LPDDR4X RAM (i5 and i7 models)
DISPLAY & TOUCH SCREEN	Display	10.1" TFT LCD Panel
	Brightness	800
	Contrast	1000 typical
	Backlight Lifetime	30,000 hours
	Max. Resolution	1920 x 1200
	Touch Type	Projected Capacitive
GRAPHICS	Controller	Intel® Iris® Xe Graphics
	Feature	OpenGL 4.5, DirectX 12, OpenCL 2.1 HW Decode: WMV9, AVC/H264, JPEG/MJPEG, HEVC/H265, VP9, AV1 HW Encode: AVC/H264, JPEG, HEVC/H265, VP9
STORAGE	Internal	256GB SATA (standard on i7) 128GB SATA (i5 and Celeron)
	External	MicroSD Card up to 1TB
WIRELESS	4G LTE	Multi-carrier capable Optional FirstNet, Band 14 mobile broadband
	Wi-Fi	802.11 a/b/g/n/ac, 2.4 GHz and 5 GHz
	Bluetooth	v5.1 (Class 1.5, BLE support)
CAMERA	Front Camera	2 MP
	Rear Camera	13 MP with LED illumination
BARCODE Module (Optional)	1D/2D IMAGER	Symbologies: all common 1D and 2D (PDF417, MicroPDF417, Composite, RSS, TLC-39, Data matrix, QR code, Micro QR code, Aztec, MaxiCode, Postal codes, etc.) Barcode Connector™ utility, wedge and configuration, SDK support available
SENSOR	Sensor	Ambient light sensor
		Compass
		Accelerometer
		Gyroscope
I/O	USB	1 x USB Type-C 2 x USB 3.1
	Serial	Optional RS-232 9-Pin D-Sub connector with 5V DC or 12V DC power output
	Buttons	Power, Windows key, Keyboard Shortcut, Directional Arrows (4x), Enter key, Volume Up, Volume down key (8x programmable function keys)
	Audio	3.5 mm audio jack
POWER	Type	DC 19V
	Connector	DC Jack
	Battery	Removable Li-Ion battery, 43.2 Whr (with integrated 5 LED charge indicators) Optional second Li-Ion battery, 43.2 Whr
		Hot-swap capability
OS SUPPORT	Microsoft	Windows 11 Pro (Celeron, i7) Windows 11 IoT Enterprise (i5)
MECHANISM	IP Rating	IP65
	Mounting	4 threaded mounting holes on the back of the tablet (220mm x 130mm), Screw Size: M4
	Dimensions (W x H x D)	285 x 195 x 30.5 mm
	Weight	1.76 kg (depending on battery and expansion configuration)
ENVIRONMENT	Operating Temp.	-20 ~ 50°C
	Storage Temp.	-30 ~ 70°C
	Relative Humidity	95%
STANDARDS AND CERTIFICATIONS	Shock	MIL-STD-810H, Method 514.6 Vibration
	Vibration	MIL-STD-810H, Method 516.6 Shock
	Certifications	CE, FCC Class B, UKCA, Industry Canada

ORDERING INFORMATION

Model Name	Part Number	Description
JUR101-TGU	790-JUR101-000G	JUR101-TGU, 10.1" Core i Tablet, Intel Celeron, 8GB RAM, 128 SSD, Windows 11 Pro, BT/Wi-Fi, Front/Rear Cameras, USB-C, USB-A (2x), Removeable battery (1x)
	790-JUR101-100G	JUR101-TGU, 10.1" Core i Tablet, Intel i5, 16GB RAM, 128 SSD, Windows 11 IoT Enterprise, BT/Wi-Fi, Front/Rear Cameras, USB-C, USB-A (2x), Removeable battery (1x)
	790-JUR101-200G	JUR101-TGU, 10.1" Core i Tablet, Intel i7, 16GB RAM, 256 SSD, Windows 11 Pro, BT/Wi-Fi, Front/Rear Cameras, USB-C, USB-A (2x), Removeable battery (2x)
	790-JUR101-300G	JUR101-TGU, 10.1" Core i Tablet, Intel Celeron, 8GB RAM, 128 SSD, Windows 11 Pro, BT/Wi-Fi, Front/Rear Cameras, USB-C, USB-A (2x), Removeable battery (1x), Sierra Wireless Cellular Module
	790-JUR101-400G	JUR101-TGU, 10.1" Core i Tablet, Intel Celeron, 8GB RAM, 128 SSD, Windows 11 Pro, BT/Wi-Fi, Front/Rear Cameras, USB-C, USB-A (2x), Removeable battery (1x), Quectel Cellular Module

PACKING LIST

• JUR101-TGL system unit
• Standard removable battery
• AC wall charger with international plug kit
• Capacitive small-tip stylus w/tether
• Quick Start Guide
• Hand strap
• Connector port dust cover