

KOE

JDI Group

Kaohsiung Opto-Electronics Inc.

FOR MESSRS : _____

DATE : Sep. 5th ,2017

CUSTOMER'S ACCEPTANCE SPECIFICATIONS

TX38D25VM0CAA

Contents

No.	ITEM	SHEET No.	PAGE
1	COVER	7B64PS 2701-TX38D25VM0CAA-4	1-1/1
2	RECORD OF REVISION	7B64PS 2702-TX38D25VM0CAA-4	2-1/2~2/2
3	GENERAL DATA	7B64PS 2703-TX38D25VM0CAA-4	3-1/1
4	ABSOLUTE MAXIMUM RATINGS	7B64PS 2704-TX38D25VM0CAA-4	4-1/1
5	ELECTRICAL CHARACTERISTICS	7B64PS 2705-TX38D25VM0CAA-4	5-1/2~2/2
6	OPTICAL CHARACTERISTICS	7B64PS 2706-TX38D25VM0CAA-4	6-1/2~2/2
7	BLOCK DIAGRAM	7B64PS 2707-TX38D25VM0CAA-4	7-1/1
8	RELIABILITY TESTS	7B64PS 2708-TX38D25VM0CAA-4	8-1/1
9	LCD INTERFACE	7B64PS 2709-TX38D25VM0CAA-4	9-1/7~7/7
10	OUTLINE DIMENSIONS	7B64PS 2710-TX38D25VM0CAA-4	10-1/2~2/2
11	APPEARANCE STANDARD	7B64PS 2711-TX38D25VM0CAA-4	11-1/3~3/3
12	PRECAUTIONS	7B64PS 2712-TX38D25VM0CAA-4	12-1/2~2/2
13	DESIGNATION OF LOT MARK	7B64PS 2713-TX38D25VM0CAA-4	13-1/1

ACCEPTED BY: _____

PROPOSED BY: John Chou

2. RECORD OF REVISION

DATE	SHEET No.	SUMMARY																				
Apr.09,2014	7B64PS 2701 TX38D25VM0CAA-2 Page 4-1/1	<p>4. ABSOLUTE MAXIMUM RATINGS</p> <p>Changed :</p> <table border="1" data-bbox="715 300 1337 434"> <thead> <tr> <th>Item</th> <th>Max.</th> </tr> </thead> <tbody> <tr> <td>Operating Temperature</td> <td>70</td> </tr> <tr> <td>Storage Temperature</td> <td>80</td> </tr> </tbody> </table> <p style="text-align: center;">↓</p> <table border="1" data-bbox="715 465 1337 600"> <thead> <tr> <th>Item</th> <th>Max.</th> </tr> </thead> <tbody> <tr> <td>Operating Temperature</td> <td>60</td> </tr> <tr> <td>Storage Temperature</td> <td>70</td> </tr> </tbody> </table>	Item	Max.	Operating Temperature	70	Storage Temperature	80	Item	Max.	Operating Temperature	60	Storage Temperature	70								
Item	Max.																					
Operating Temperature	70																					
Storage Temperature	80																					
Item	Max.																					
Operating Temperature	60																					
Storage Temperature	70																					
	7B64PS 2701 TX38D25VM0CAA-2 Page 8-1/1	<p>8. RELIABILITY TESTS</p> <p>Changed :</p> <table border="1" data-bbox="654 719 1396 1111"> <thead> <tr> <th>Test Item</th> <th>Condition</th> </tr> </thead> <tbody> <tr> <td>High Temperature</td> <td>1) Operating 2) 70 °C</td> </tr> <tr> <td>High Temperature</td> <td>1) Storage 2) 80 °C</td> </tr> <tr> <td>Heat Cycle</td> <td>1) Operating 2) -20 °C ~70 °C 3) 3hrs~1hr~3hrs</td> </tr> <tr> <td>Thermal Shock</td> <td>1) Non-Operating 2) -35 °C ↔ 85 °C 3) 0.5 hr ↔ 0.5 hr</td> </tr> </tbody> </table> <p style="text-align: center;">↓</p> <table border="1" data-bbox="654 1146 1396 1538"> <thead> <tr> <th>Test Item</th> <th>Condition</th> </tr> </thead> <tbody> <tr> <td>High Temperature</td> <td>1) Operating 2) 60 °C</td> </tr> <tr> <td>High Temperature</td> <td>1) Storage 2) 70 °C</td> </tr> <tr> <td>Heat Cycle</td> <td>1) Operating 2) 0 °C ~60 °C 3) 3hrs~1hr~3hrs</td> </tr> <tr> <td>Thermal Shock</td> <td>1) Non-Operating 2) -10 °C ↔ 70 °C 3) 0.5 hr ↔ 0.5 hr</td> </tr> </tbody> </table>	Test Item	Condition	High Temperature	1) Operating 2) 70 °C	High Temperature	1) Storage 2) 80 °C	Heat Cycle	1) Operating 2) -20 °C ~70 °C 3) 3hrs~1hr~3hrs	Thermal Shock	1) Non-Operating 2) -35 °C ↔ 85 °C 3) 0.5 hr ↔ 0.5 hr	Test Item	Condition	High Temperature	1) Operating 2) 60 °C	High Temperature	1) Storage 2) 70 °C	Heat Cycle	1) Operating 2) 0 °C ~60 °C 3) 3hrs~1hr~3hrs	Thermal Shock	1) Non-Operating 2) -10 °C ↔ 70 °C 3) 0.5 hr ↔ 0.5 hr
Test Item	Condition																					
High Temperature	1) Operating 2) 70 °C																					
High Temperature	1) Storage 2) 80 °C																					
Heat Cycle	1) Operating 2) -20 °C ~70 °C 3) 3hrs~1hr~3hrs																					
Thermal Shock	1) Non-Operating 2) -35 °C ↔ 85 °C 3) 0.5 hr ↔ 0.5 hr																					
Test Item	Condition																					
High Temperature	1) Operating 2) 60 °C																					
High Temperature	1) Storage 2) 70 °C																					
Heat Cycle	1) Operating 2) 0 °C ~60 °C 3) 3hrs~1hr~3hrs																					
Thermal Shock	1) Non-Operating 2) -10 °C ↔ 70 °C 3) 0.5 hr ↔ 0.5 hr																					

DATE	SHEET No.	SUMMARY																																								
Jul.28,2014	7B64PS 2703 TX38D25VM0CAA-3 Page 3-1/1	3. GENERAL DATA Revised : Power Consumption 9.96W for backlight → 4.56W for backlight																																								
	7B64PS 2705 TX38D25VM0CAA-3 Page 5-2/2	5.2 BACKLIGHT CHARACTERISTICS Revised : <table border="1" style="margin-left: 40px;"> <thead> <tr> <th>Item</th> <th>Min.</th> <th>Typ.</th> <th>Max.</th> </tr> </thead> <tbody> <tr> <td rowspan="2">LED Forward Current (Dim Control)</td> <td>-</td> <td>830</td> <td>850</td> </tr> <tr> <td>34</td> <td>40</td> <td>46</td> </tr> </tbody> </table> <p style="text-align: center;">↓</p> <table border="1" style="margin-left: 40px;"> <thead> <tr> <th>Item</th> <th>Min.</th> <th>Typ.</th> <th>Max.</th> </tr> </thead> <tbody> <tr> <td rowspan="2">LED Forward Current (Dim Control)</td> <td>-</td> <td>380</td> <td>420</td> </tr> <tr> <td>40</td> <td>60</td> <td>80</td> </tr> </tbody> </table>	Item	Min.	Typ.	Max.	LED Forward Current (Dim Control)	-	830	850	34	40	46	Item	Min.	Typ.	Max.	LED Forward Current (Dim Control)	-	380	420	40	60	80																		
	Item	Min.	Typ.	Max.																																						
LED Forward Current (Dim Control)	-	830	850																																							
	34	40	46																																							
Item	Min.	Typ.	Max.																																							
LED Forward Current (Dim Control)	-	380	420																																							
	40	60	80																																							
7B64PS 2713 TX38D25VM0CAA-3 Page 13-1/1	13. DESIGNATION of LOT MARK Revised : Label REV:A → REV:B ; (5D) → (5E)																																									
Sep.5,'17	7B64PS 2706 TX38D25VM0CAA-4 Page 6-1/2	6. OPTICAL CHARACTERISTICS Revised : <table border="1" style="margin-left: 40px;"> <thead> <tr> <th>Item</th> <th>Symbol</th> <th>Min.</th> <th>Typ.</th> <th>Max.</th> </tr> </thead> <tbody> <tr> <td rowspan="3">Color Chromaticity</td> <td>Blue</td> <td>Y</td> <td>0.09</td> <td>0.14</td> <td>0.19</td> </tr> <tr> <td rowspan="2">White</td> <td>X</td> <td>0.29</td> <td>0.34</td> <td>0.39</td> </tr> <tr> <td>Y</td> <td>0.33</td> <td>0.38</td> <td>0.43</td> </tr> </tbody> </table> <p style="text-align: center;">↓</p> <table border="1" style="margin-left: 40px;"> <thead> <tr> <th>Item</th> <th>Symbol</th> <th>Min.</th> <th>Typ.</th> <th>Max.</th> </tr> </thead> <tbody> <tr> <td rowspan="3">Color Chromaticity</td> <td>Blue</td> <td>Y</td> <td>0.04</td> <td>0.09</td> <td>0.14</td> </tr> <tr> <td rowspan="2">White</td> <td>X</td> <td>0.28</td> <td>0.33</td> <td>0.38</td> </tr> <tr> <td>Y</td> <td>0.31</td> <td>0.36</td> <td>0.41</td> </tr> </tbody> </table>	Item	Symbol	Min.	Typ.	Max.	Color Chromaticity	Blue	Y	0.09	0.14	0.19	White	X	0.29	0.34	0.39	Y	0.33	0.38	0.43	Item	Symbol	Min.	Typ.	Max.	Color Chromaticity	Blue	Y	0.04	0.09	0.14	White	X	0.28	0.33	0.38	Y	0.31	0.36	0.41
	Item	Symbol	Min.	Typ.	Max.																																					
	Color Chromaticity	Blue	Y	0.09	0.14	0.19																																				
White		X	0.29	0.34	0.39																																					
		Y	0.33	0.38	0.43																																					
Item	Symbol	Min.	Typ.	Max.																																						
Color Chromaticity	Blue	Y	0.04	0.09	0.14																																					
	White	X	0.28	0.33	0.38																																					
		Y	0.31	0.36	0.41																																					
7B64PS 2713 TX38D25VM0CAA-4 Page 13-1/1	13. DESIGNATION of LOT MARK Added : <table border="1" style="margin-left: 40px;"> <thead> <tr> <th>REV.No</th> <th>ITEM</th> <th>REMARKS</th> </tr> </thead> <tbody> <tr> <td>C</td> <td>LCD production re-location</td> <td>PCN 0987</td> </tr> </tbody> </table>	REV.No	ITEM	REMARKS	C	LCD production re-location	PCN 0987																																			
REV.No	ITEM	REMARKS																																								
C	LCD production re-location	PCN 0987																																								

3. GENERAL DATA

3.1 DISPLAY FEATURES

This module is a 14.9" HWXGA of 14:3 format amorphous silicon TFT. The pixel format is vertical stripe and sub pixels are arranged as R (red), G (green), B (blue) sequentially. This display is RoHS compliant, COF (chip on film) technology and LED backlight are applied on this display.

Part Name	TX38D25VM0CAA
Module Dimensions	386.82(W) mm x 85.57(H) mm x 13.06(D) mm
LCD Active Area	372.48(W) mm x 70.42(H) mm
Pixel Pitch	0.291(W) mm x 0.291(H) mm
Resolution	1280 x 3(RGB)(W) x 242(H) dots
Color Pixel Arrangement	R, G, B Vertical stripe
LCD Type	Transmissive Color TFT; Normally Black
Display Type	Active Matrix
Number of Colors	262k Colors (6-bit RGB)
Backlight	LED (Lifetime: 70 Khrs)
Weight	556g
Interface	LVDS; 20 pins
Power Supply Voltage	3.3V for LCD; 12V for Backlight
Power Consumption	1.65W for LCD; 4.56W for backlight
Viewing Direction	Super wide version(In Plane Switching)

4. ABSOLUTE MAXIMUM RATINGS

Item	Symbol	Min.	Max.	Unit	Remarks
Supply Voltage	V_{DD}	-0.3	5.0	V	-
Input Voltage of Logic	V_I	-0.2	$V_{DD}+0.3$	V	Note 1
Operating Temperature	T_{OP}	-20	60	°C	Note 2
Storage Temperature	T_{ST}	-30	70	°C	Note 2
Backlight Input Voltage	V_{LED}	-	15	V	-

Note 1: The rating is defined for the signal voltages of the interface such as CLK and pixel data pairs.

Note 2: The maximum rating is defined as above based on the chamber temperature, which might be different from ambient temperature after assembling the panel into the application. Moreover, some temperature-related phenomenon as below needed to be noticed:

- Background color, contrast and response time would be different in temperatures other than 25°C.
- Operating under high temperature will shorten LED lifetime.

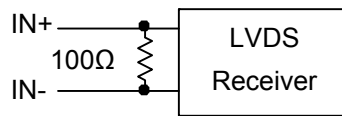
5. ELECTRICAL CHARACTERISTICS

5.1 LCD CHARACTERISTICS

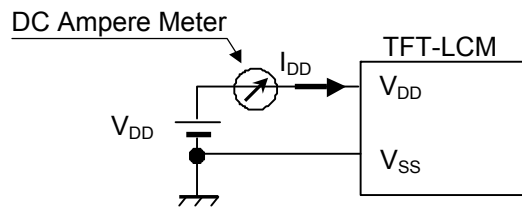
$T_a = 25\text{ }^\circ\text{C}$, $V_{SS} = 0\text{V}$

Item	Symbol	Condition	Min.	Typ.	Max.	Unit	Remarks
Power Supply Voltage	V_{DD}	-	3.0	3.3	3.6	V	-
Differential Input Voltage for LVDS Receiver Threshold	V_I	V_{IH}	-	-	+100	mV	Note 1
		V_{IL}	-100	-	-		
Power Supply Current	I_{DD}	$V_{DD}-V_{SS} = 3.3\text{V}$	-	500	600	mA	Note 2,3
Frame Frequency	f_{Frame}	-	-	60	70	Hz	Note 4
CLK Frequency	f_{CLK}	-	25	28	32.7	MHz	

Note 1: VCM 1.2V is common mode voltage of LVDS transmitter and receiver. The input terminal of LVDS transmitter is terminated with 100Ω.



Note 2: An all black check pattern is used when measuring I_{DD} , f_{Frame} is set to 60Hz.



Note 3: 1.0A fuse is applied in the module for I_{DD} . For display activation and protection purpose, power supply is recommended larger than 2.5A to start the display and break fuse once any short circuit occurred.

Note 4: For LVDS transmitter input.

5.2 BACKLIGHT CHARACTERISTICS

$T_a = 25^\circ\text{C}$

Item	Symbol	Condition	Min.	Typ.	Max.	Unit	Remarks
LED Input Voltage	V_{LED}	-	11.5	12	12.5	V	Note1
LED Forward Current	I_{LED}	0V; 0% duty	-	380	420	mA	Note 2
		3.3VDC; 100% duty	40	60	80		
LED lifetime	-	$I_{LED} = 380\text{ mA}$	-	70K	-	hrs	Note 3

Note 1: As Fig. 5.1 shown, LED current is constant, 380 mA, controlled by the LED driver when applying 12V V_{LED} .

Note 2: Dimming function can be obtained by applying DC voltage or PWM signal from the display interface CN1. The recommended PWM signal is 1K ~ 10K Hz with 3.3V amplitude.

Note 3: The estimated lifetime is specified as the time to reduce 50% brightness by applying 380 mA at 25°C .

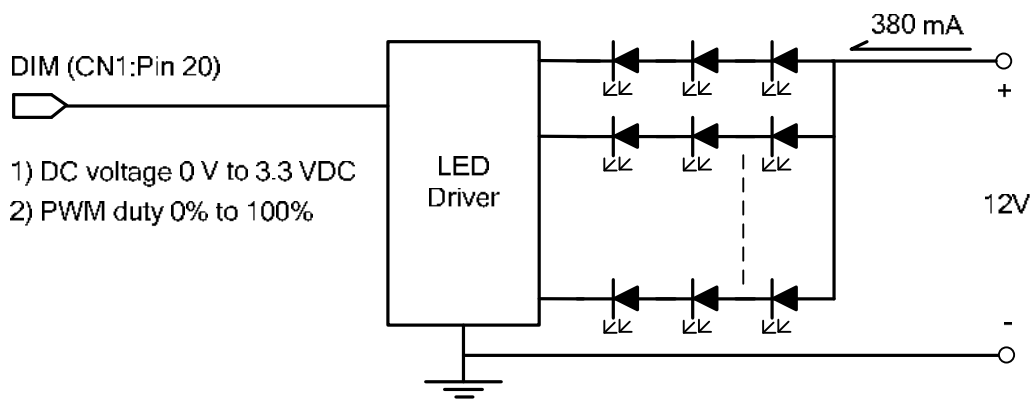


Fig 5.1

6. OPTICAL CHARACTERISTICS

The optical characteristics are measured based on the conditions as below:

- Supplying the signals and voltages defined in the section of electrical characteristics.
- The backlight unit needs to be turned on for 30 minutes.
- The ambient temperature is 25 °C .
- In the dark room less than 100 lx, the equipment has been set for the measurements as shown in Fig 6.1.

$$T_a = 25\text{ }^{\circ}\text{C}, f_{Frame} = 60\text{ Hz}, V_{DD} = 3.3\text{V}$$

Item	Symbol	Condition	Min.	Typ.	Max.	Unit	Remarks	
Brightness of White	-	$\phi = 0^{\circ}, \theta = 0^{\circ},$ $I_{LED} = 380\text{ mA}$	380	450	-	cd/m ²	Note 1	
Brightness Uniformity	-		70	-	-	%	Note 2	
Contrast Ratio	CR		600	800	-	-	Note 3	
Response Time	$T_r + T_f$	$\phi = 0^{\circ}, \theta = 0^{\circ}$	-	25	-	ms	Note 4	
NTSC Ratio	-	$\phi = 0^{\circ}, \theta = 0^{\circ}$	-	60	-	%	-	
Viewing Angle	θ_x	$\phi = 0^{\circ}, CR \geq 10$	75	85	-	Degree	Note 5	
	$\theta_{x'}$	$\phi = 180^{\circ}, CR \geq 10$	75	85	-			
	θ_y	$\phi = 90^{\circ}, CR \geq 10$	75	85	-			
	$\theta_{y'}$	$\phi = 270^{\circ}, CR \geq 10$	75	85	-			
Color Chromaticity	Red	X	$\phi = 0^{\circ}, \theta = 0^{\circ}$	0.59	0.64	0.69	-	Note 6
		Y		0.29	0.34	0.39		
	Green	X		0.28	0.33	0.38		
		Y		0.56	0.61	0.66		
	Blue	X		0.09	0.14	0.19		
		Y		0.04	0.09	0.14		
	White	X		0.28	0.33	0.38		
		Y		0.31	0.36	0.41		

Note 1: The brightness is measured from center point of the panel, P5 in Fig. 6.2, for the typical value.

Note 2: The brightness uniformity is calculated by the equation as below:

$$\text{Brightness uniformity} = \frac{\text{Min. Brightness}}{\text{Max. Brightness}} \times 100\%$$

Which is based on the brightness values of the 9 points measured by BM-5 as shown in Fig. 6.2.

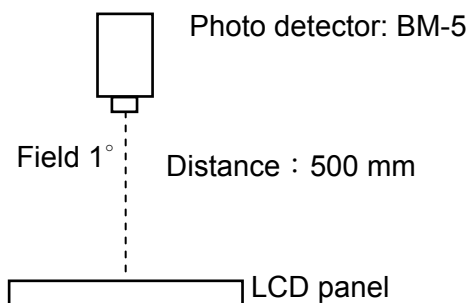


Fig. 6.1

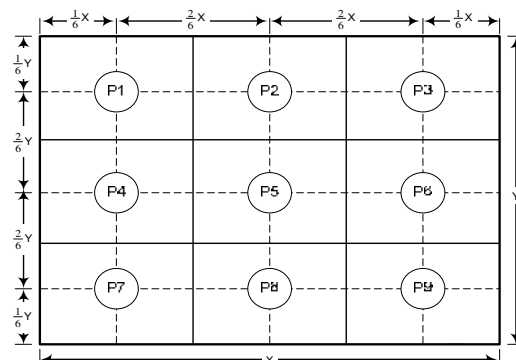


Fig. 6.2

Note 3: The Contrast ratio is measured from the center point of the panel, P5, and defined as the following equation:

$$CR = \frac{\text{Brightness of White}}{\text{Brightness of Black}}$$

Note 4: The definition of response time is shown in Fig. 6.3. The rising time is the period from 10% brightness to 90% brightness when the data is from black to white. Oppositely, Falling time is the period from 90% brightness falling to 10% brightness.

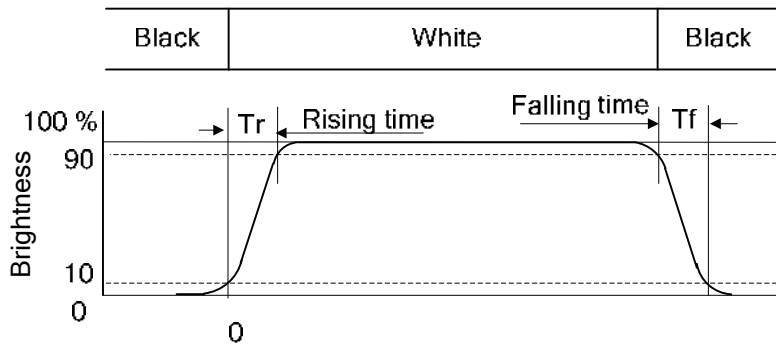


Fig.6.3

Note 5: The definition of viewing angle is shown in Fig. 6.4. Angle ϕ is used to represent viewing directions, for instance, $\phi = 270^\circ$ means 6 o'clock, and $\phi = 0^\circ$ means 3 o'clock. Moreover, angle θ is used to represent viewing angles from axis Z toward plane XY.

The display is super wide viewing angle version; 85° viewing angle can be obtained from each viewing direction.

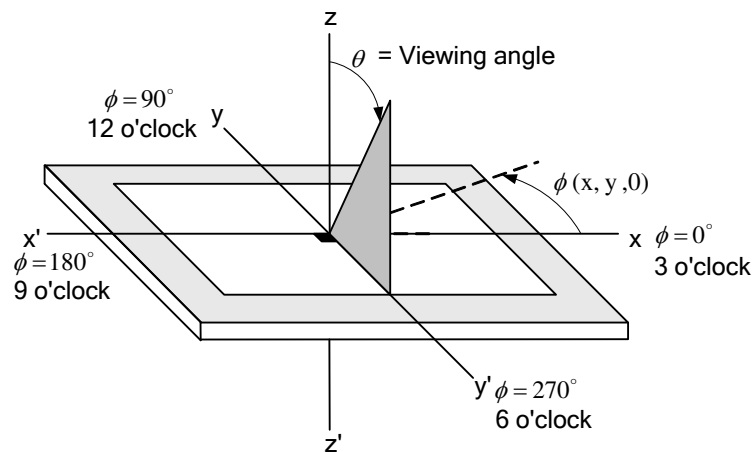
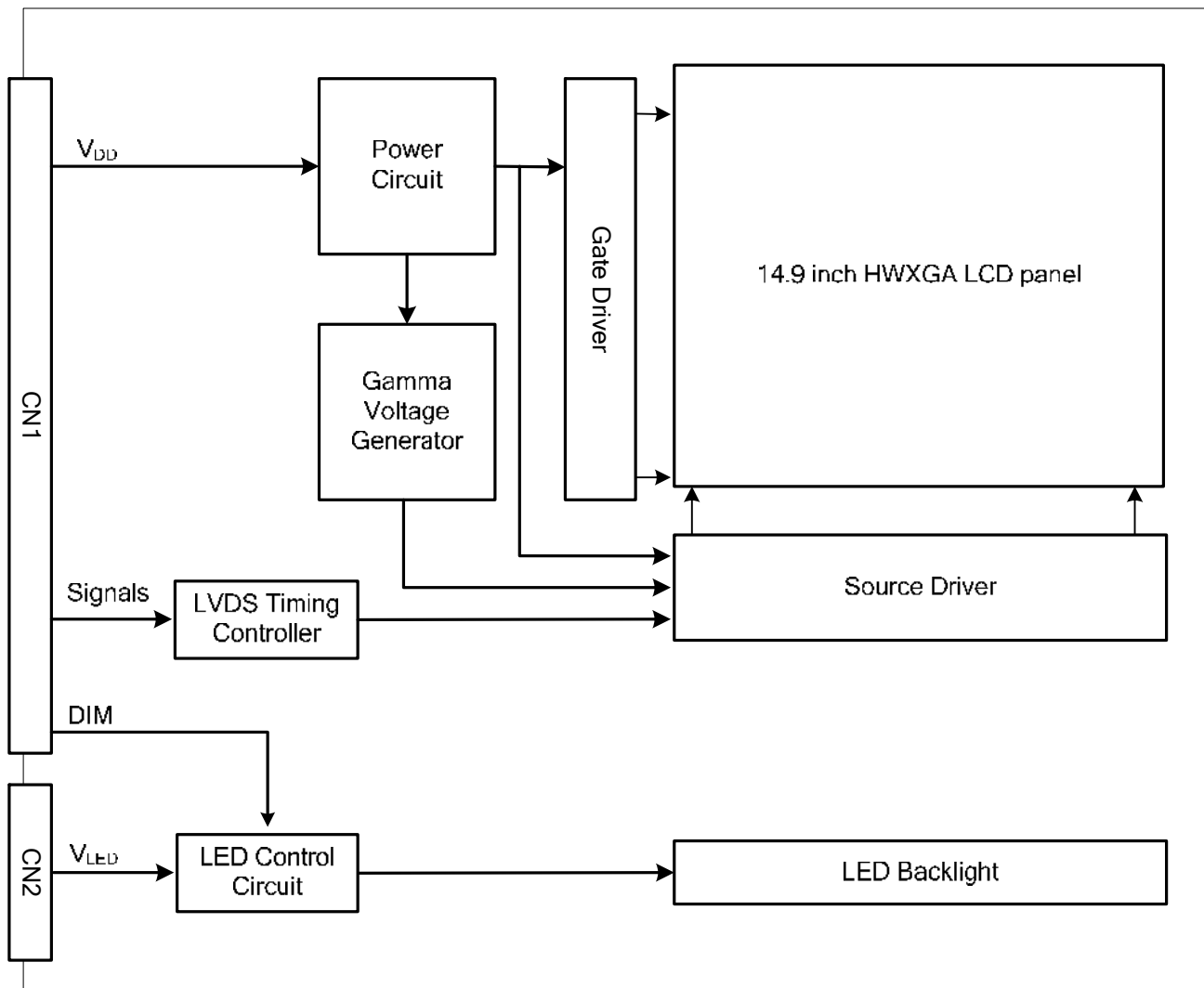


Fig.6.4

Note 6: The color chromaticity is measured from the center point of the panel, P5, as shown in Fig. 6.2.

7. BLOCK DIAGRAM



Note : Signals are CLK and pixel data pairs.

8. RELIABILITY TESTS

Test Item	Condition	
High Temperature	1) Operating 2) 60 °C	240 hrs
Low Temperature	1) Operating 2) -20 °C	240 hrs
High Temperature	1) Storage 2) 70 °C	240 hrs
Low Temperature	1) Storage 2) -30 °C	240 hrs
Heat Cycle	1) Operating 2) 0 °C ~60 °C 3) 3hrs~1hr~3hrs	240 hrs
Thermal Shock	1) Non-Operating 2) -10 °C ↔ 70 °C 3) 0.5 hr ↔ 0.5 hr	240 hrs
High Temperature & Humidity	1) Operating 2) 45 °C & 85%RH 3) Without condensation	240 hrs (Note3)
Vibration	1) Non-Operating 2) 20~200 Hz 3) 2G 4) X, Y, and Z directions	1 hr for each direction
Mechanical Shock	1) Non-Operating 2) 10 ms 3) 50G 4) ±X, ±Y and ±Z directions	Once for each direction
ESD	1) Operating 2) Tip: 200 pF, 250 Ω 3) Air discharge for glass: ± 8KV 4) Contact discharge for metal frame: ± 8KV	1) Glass: 9 points 2) Metal frame: 8 points (Note4)

Note 1: Display functionalities are inspected under the conditions defined in the specification after the reliability tests.

Note 2: The display is not guaranteed for use in corrosive gas environments.

Note 3: Under the condition of high temperature & humidity, if the temperature is higher than 40°C, the humidity needs to be reduced as Fig. 8.1 shown.

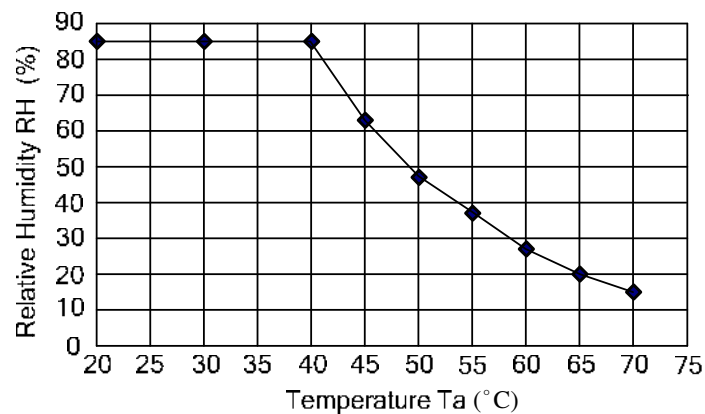


Fig. 8.1

Note 4: All pins of LCD interface (CN1) have been tested by ± 100V contact discharge of ESD under non-operating condition.

9. LCD INTERFACE

9.1 INTERFACE PIN CONNECTIONS

The display interface connector (CN1) is FI-SEB20P-HF13E-E1500 made by JAE and pin assignment is as below:

Pin No.	Signal	Signal	Pin No.	Signal	Signal
1	V _{DD}	Power Supply for Logic	11	IN2-	B2~B5, DE
2	V _{DD}		12	IN2+	
3	V _{SS}	GND	13	V _{SS}	GND
4	V _{SS}		14	CLK IN-	Pixel Clock
5	IN0-	R0~R5, G0	15	CLK IN+	
6	IN0+		16	V _{SS}	GND
7	V _{SS}	GND	17	NC	No Connection
8	IN1-	G1~G5, B0~B1	18	NC	
9	IN1+		19	NC	
10	V _{SS}	GND	20	DIM	Brightness dimming (Note 2)

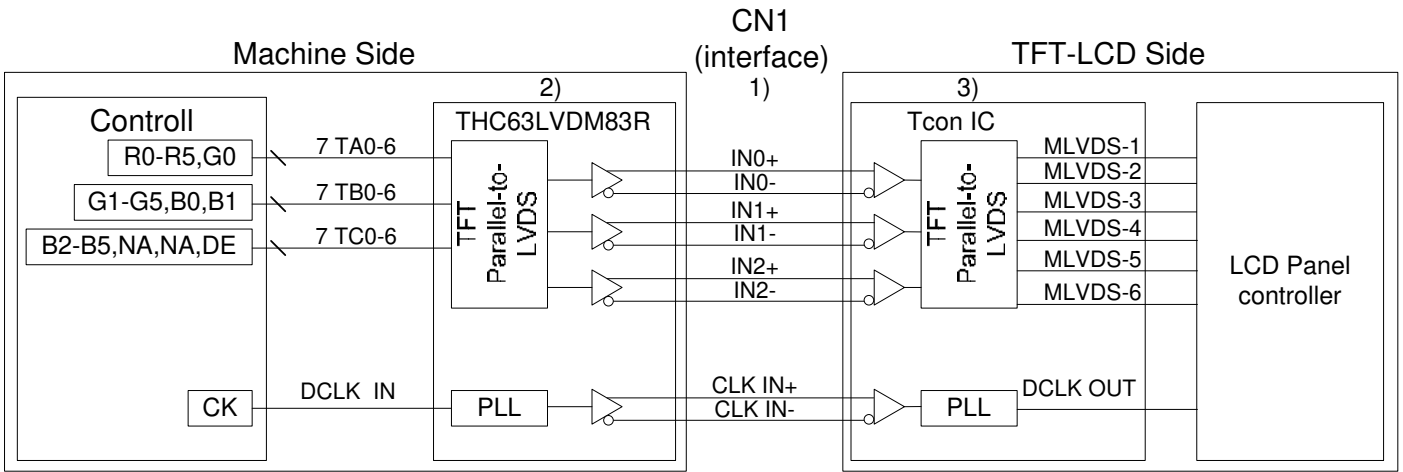
Note 1: IN n- and IN n+ (n=0, 1, 2), CLK IN- and CLK IN+ should be wired by twist-pairs or side-by-side FPC patterns, respectively.

Note 2: Normal brightness: 0V or 100% PWM duty ; Brightness control: 0V to 3.3V DC or 0% to 100% PWM duty.

The backlight connector (CN2) is SM02(8.0)B-BHS-1-TB (LF)(SN) made by JST, and pin assignment is as below:

Pin No.	Symbol	Signal
1	V _{LED}	12VDC
2	GND	Ground

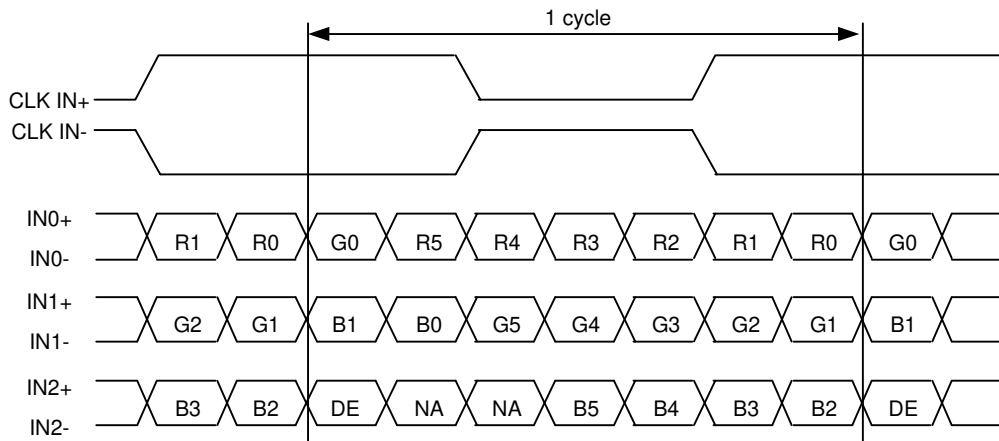
9.2 LVDS INTERFACE



Note 1: LVDS cable impedance should be 100 ohms per signal line when each 2-lines (+, -) is used in differential mode.

Note 2: The recommended transmitter, THC63LVDM83R, is made by Thine or equivalent, which is not contained in the module.

9.3 LVDS DATA FORMAT



DE: Display Enable

NA: Not Available

9.4 INTERFACE TIMING SPECIFICATIONS

The column of timing sets including minimum, typical, and maximum as below are based on the best optical performance, frame frequency (Vsync) = 60 Hz to define. If 60 Hz is not the aim to set, less than 66 Hz for Vsync is recommended to apply for better performance by other parameter combination as the definitions in section 5.1.

Item		Symbol	Min.	Typ.	Max.	Unit
CLK	Cycle frequency	$1/t_{CLK}$	25	28	32.7	MHz
	Low level width	t_{WCL}	10	-	-	ns
	High level width	t_{WCH}	10	-	-	
	Rise / Fall time	t_{rCLK}, t_{fCLK}	-	-	12	
	Duty	D	0.4	0.5	0.6	-
DE	Set up time	t_{SI}	8	-	-	ns
	Hold time	t_{HI}	8	-	-	
	Rise / Fall time	t_{Ir}, t_{If}	-	-	12	ns
	Horizontal cycle	t_H	1500	1600	1700	t_{CLK}
	Horizontal valid data width	t_{HD}	1280	1280	1280	
	Horizontal porch width	t_{HB}	220	320	420	
	Vertical cycle	t_V	282	292	320	t_H
	Vertical valid data width	t_{VD}	242	242	242	
Vertical porch width	t_{VB}	40	50	78		
Data	Set up time	t_{SD}	8	-	-	ns
	Hold time	t_{HD}	8	-	-	
	Rise / Fall time	t_{Dr}, t_{Df}	-	-	12	ns

9.5 TIMING CHART

DE (Data Enable) is the signal to determine valid data, and the timing of DE can be determined from Hsync and Vsync as below. For this display, only DE and CLK are the essential signals. Hsync and Vsync are not necessary to connect to display interface after DE has been generated and input.

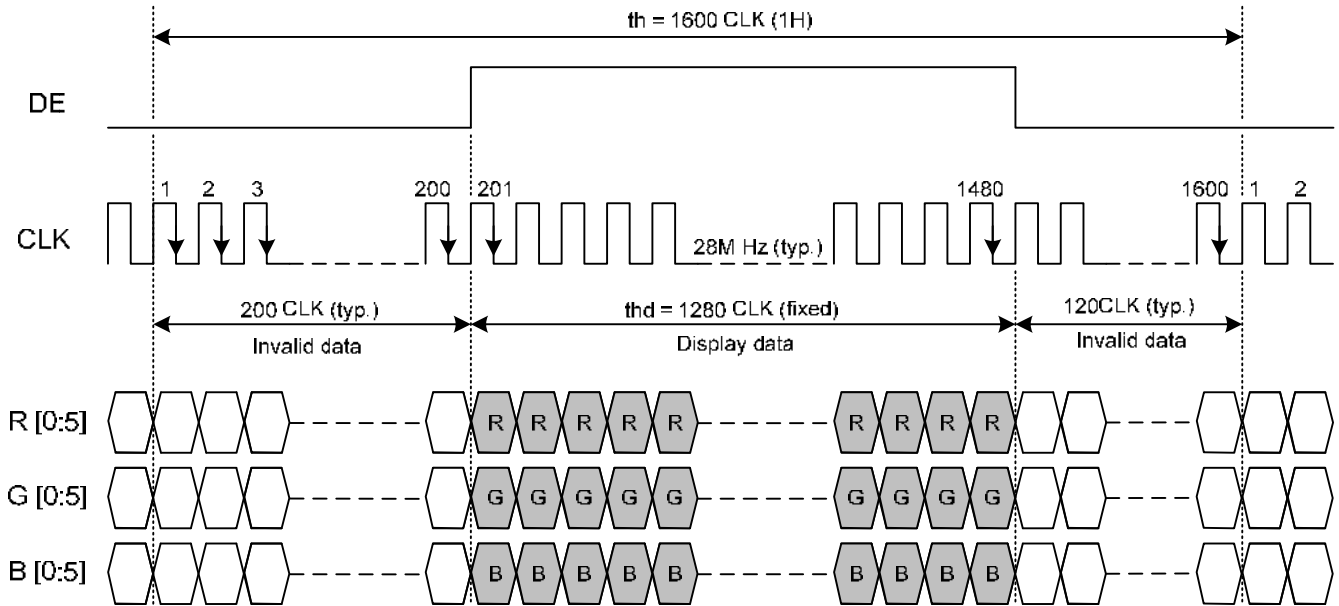


Fig. 9.3 Horizontal Timing

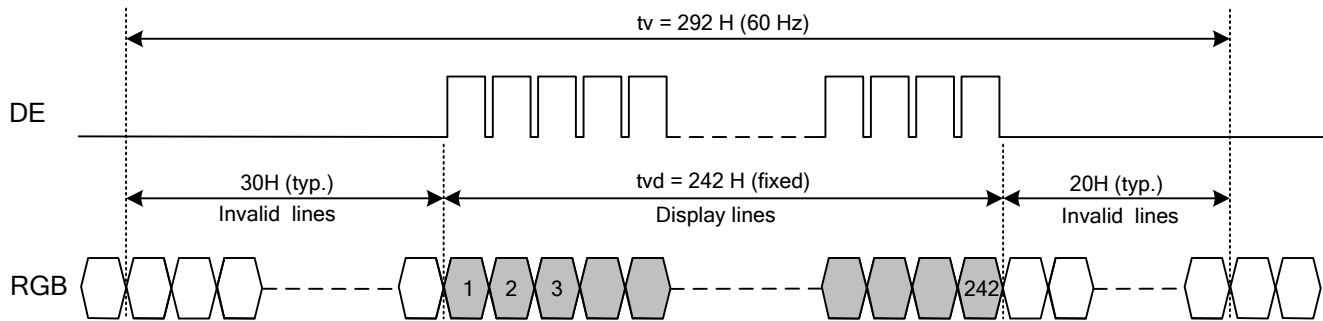
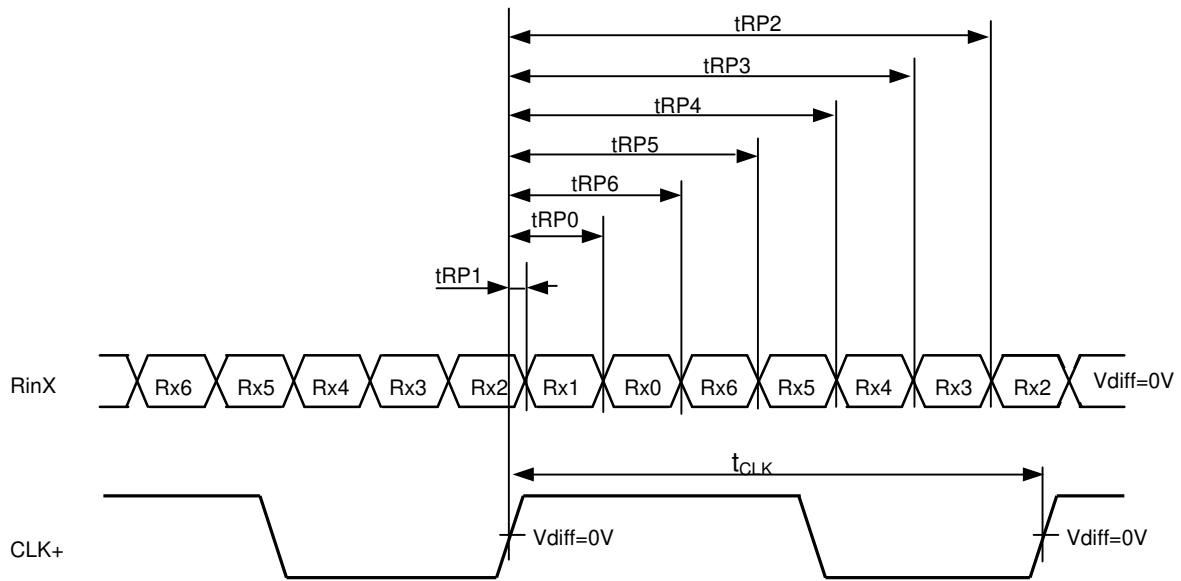


Fig. 9.4 Vertical Timing

9.6 LVDS RECEIVER TIMING



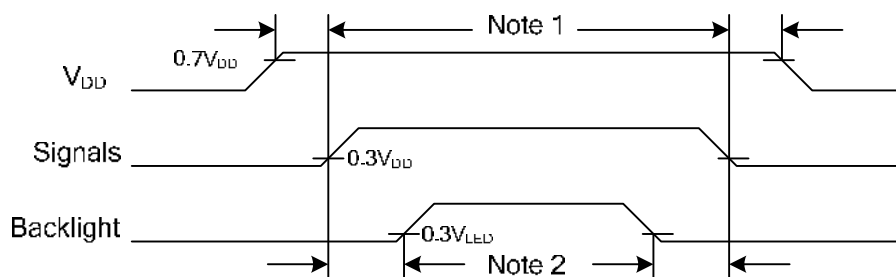
$$RinX = (RinX+) - (RinX-) \quad (X=0, 1, 2)$$

Item	Symbol	Min.	Typ.	Max.	Unit	
CLK	Frequency	$1/t_{CLK}$	25	28	32.7	MHz
RinX (X=0,1,2)	0 data position	t_{RP0}	$1/7 * t_{CLK} - 0.4$	$1/7 * t_{CLK}$	$1/7 * t_{CLK} + 0.4$	ns
	1st data position	t_{RP1}	-0.4	0	+0.4	
	2nd data position	t_{RP2}	$6/7 * t_{CLK} - 0.4$	$6/7 * t_{CLK}$	$6/7 * t_{CLK} + 0.4$	
	3rd data position	t_{RP3}	$5/7 * t_{CLK} - 0.4$	$5/7 * t_{CLK}$	$5/7 * t_{CLK} + 0.4$	
	4th data position	t_{RP4}	$4/7 * t_{CLK} - 0.4$	$4/7 * t_{CLK}$	$4/7 * t_{CLK} + 0.4$	
	5th data position	t_{RP5}	$3/7 * t_{CLK} - 0.4$	$3/7 * t_{CLK}$	$3/7 * t_{CLK} + 0.4$	
	6th data position	t_{RP6}	$2/7 * t_{CLK} - 0.4$	$2/7 * t_{CLK}$	$2/7 * t_{CLK} + 0.4$	

9.7 DATA INPUT for DISPLAY COLOR

Input color		Red Data						Green Data						Blue Data					
		R5	R4	R3	R2	R1	R0	G5	G4	G3	G2	G1	G0	B5	B4	B3	B2	B1	B0
		MSB			LSB			MSB			LSB			MSB			LSB		
Basic Color	Black	0	0	0	0	0	0	0	0	0	0	0	0	0	0	0	0	0	0
	Red(63)	1	1	1	1	1	1	0	0	0	0	0	0	0	0	0	0	0	0
	Green(63)	0	0	0	0	0	0	1	1	1	1	1	1	0	0	0	0	0	0
	Blue(63)	0	0	0	0	0	0	0	0	0	0	0	0	1	1	1	1	1	1
	Cyan	0	0	0	0	0	0	1	1	1	1	1	1	1	1	1	1	1	1
	Magenta	1	1	1	1	1	1	0	0	0	0	0	0	1	1	1	1	1	1
	Yellow	1	1	1	1	1	1	1	1	1	1	1	1	0	0	0	0	0	0
	White	1	1	1	1	1	1	1	1	1	1	1	1	1	1	1	1	1	1
Red	Black	0	0	0	0	0	0	0	0	0	0	0	0	0	0	0	0	0	0
	Red (1)	0	0	0	0	0	1	0	0	0	0	0	0	0	0	0	0	0	0
	Red (2)	0	0	0	0	1	0	0	0	0	0	0	0	0	0	0	0	0	0
	:	:	:	:	:	:	:	:	:	:	:	:	:	:	:	:	:	:	:
	:	:	:	:	:	:	:	:	:	:	:	:	:	:	:	:	:	:	:
	Red (62)	1	1	1	1	1	0	0	0	0	0	0	0	0	0	0	0	0	0
	Red (63)	1	1	1	1	1	1	0	0	0	0	0	0	0	0	0	0	0	0
Green	Black	0	0	0	0	0	0	0	0	0	0	0	0	0	0	0	0	0	0
	Green (1)	0	0	0	0	0	0	0	0	0	0	1	0	0	0	0	0	0	0
	Green (2)	0	0	0	0	0	0	0	0	0	1	0	0	0	0	0	0	0	0
	:	:	:	:	:	:	:	:	:	:	:	:	:	:	:	:	:	:	:
	:	:	:	:	:	:	:	:	:	:	:	:	:	:	:	:	:	:	:
	Green (62)	0	0	0	0	0	0	1	1	1	1	1	0	0	0	0	0	0	0
	Green (63)	0	0	0	0	0	0	1	1	1	1	1	1	0	0	0	0	0	0
Blue	Black	0	0	0	0	0	0	0	0	0	0	0	0	0	0	0	0	0	0
	Blue (1)	0	0	0	0	0	0	0	0	0	0	0	0	0	0	0	0	0	1
	Blue (2)	0	0	0	0	0	0	0	0	0	0	0	0	0	0	0	1	0	0
	:	:	:	:	:	:	:	:	:	:	:	:	:	:	:	:	:	:	:
	:	:	:	:	:	:	:	:	:	:	:	:	:	:	:	:	:	:	:
	Blue (62)	0	0	0	0	0	0	0	0	0	0	0	0	1	1	1	1	1	0
	Blue (63)	0	0	0	0	0	0	0	0	0	0	0	0	1	1	1	1	1	1

9.8 POWER SEQUENCE

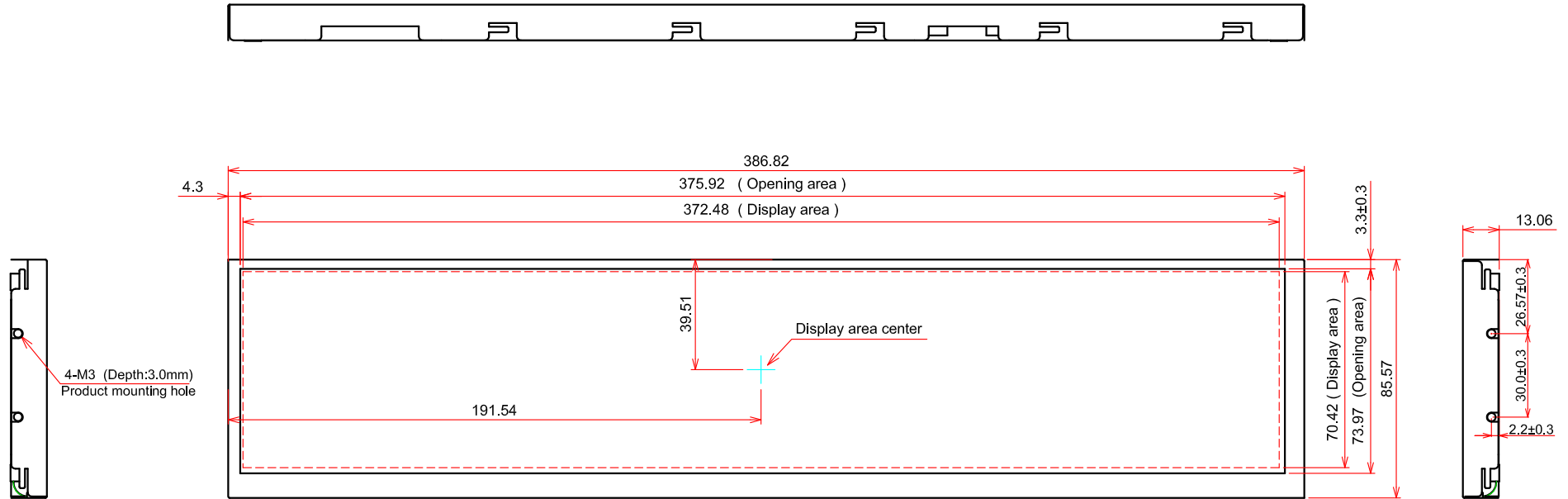


Note 1: In order to avoid any damages, V_{DD} has to be applied before all other signals. The opposite is true for power off where V_{DD} has to be remained on until all other signals have been switch off. The recommended time period is 1 second. Hot plugging might cause display damage due to incorrect power sequence, please pay attention on interface connecting before power on.

Note 2: In order to avoid showing uncompleted patterns in transient state. It is recommended that switching the backlight on is delayed for 1 second after the signals have been applied. The opposite is true for power off where the backlight has to be switched off 1 second before the signals are removed.

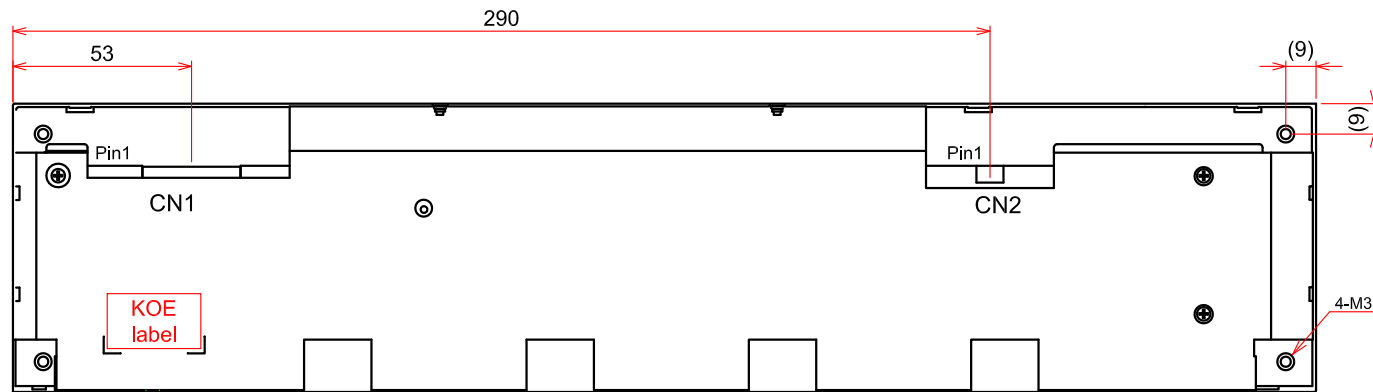
10. OUTLINE DIMENSIONS

10.1 FRONT VIEW



General tolerance:± 0.5
Scale : NTS
Unit : mm

10.2 REAR VIEW



General tolerance: ± 0.5
Scale : NTS
Unit : mm

11. APPEARANCE STANDARD

The appearance inspection is performed in a room around 500~1000 lx based on the conditions as below:

- The distance between inspector's eyes and display is 30 cm.
- The viewing zone is defined with angle θ shown in Fig. 11.1 The inspection should be performed within 45° when display is shut down. The inspection should be performed within 5° when display is power on.

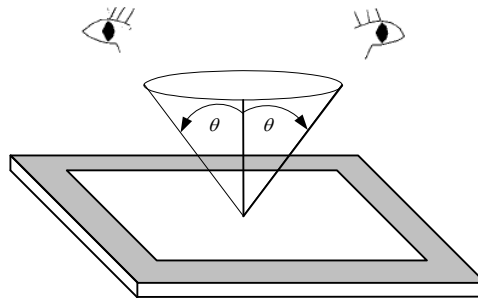


Fig. 11.1

11.1 THE DEFINITION OF LCD ZONE

LCD panel is divided into 3 areas as shown in Fig.11.2 for appearance specification in next section. A zone is the LCD active area (dot area); B zone is the area, which extended 1 mm out from LCD active area; C zone is the area between B zone and metal frame.

In terms of housing design, B zone is the recommended window area customers' housing should be located in.

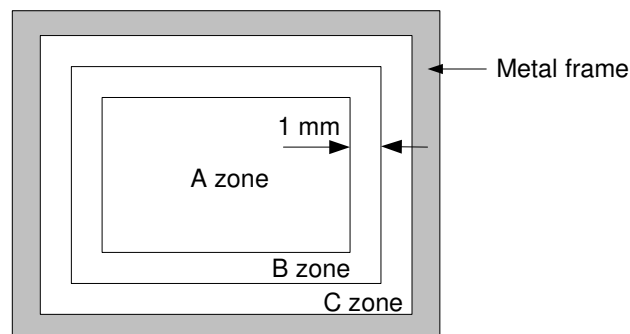


Fig. 11.2

11.2 LCD APPEARANCE SPECIFICATION

The specification as below is defined as the amount of unexpected phenomenon or material in different zones of LCD panel. The definitions of length, width and average diameter using in the table are shown in Fig. 11.3 and Fig. 11.4.

Item	Criteria				Applied zone
	Length (mm)	Width (mm)	Maximum number	Minimum space	
Scratches	Ignored	$W \leq 0.02$	Ignored	-	A, B
	$L \leq 40$	$0.02 < W \leq 0.04$	10	-	
	-	$W > 0.04$	Not allowed		
Dent	Serious one is not allowed				A
Wrinkles in polarizer	Serious one is not allowed				A
Bubbles on polarizer	Average diameter (mm)		Maximum number		A
	$D \leq 0.2$		Ignored		
	$0.2 < D \leq 0.3$		12		
	$0.3 < D \leq 0.5$		3		
	$0.5 < D$		None		
1) Stains 2) Foreign Materials 3) Dark Spot	Filamentous (Line shape)				A, B
	Length (mm)		Width (mm)		
	$L \leq 2.0$		$W \leq 0.03$		
	$L \leq 3.0$		$0.03 < W \leq 0.05$		
	$L \leq 2.5$		$0.05 < W \leq 0.1$		
	Round (Dot shape)				A, B
	Average diameter (mm)		Maximum number		
	$D < 0.2$		Ignored		
	$0.2 \leq D < 0.3$		10		
	$0.3 \leq D < 0.4$		5		
	$0.4 \leq D$		None		
	In total		Filamentous + Round=10		
	Those wiped out easily are acceptable				
Dot-Defect (Note 1)			Type	Maximum number	A
	Bright dot-defect	1 dot		4	
		2 dot		1	
		In total		5	
	Dark dot-defect	1 dot		5	
		2 dot		2	
		In total		5	
In total		10			

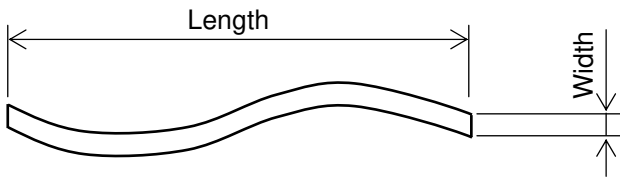


Fig 11.3

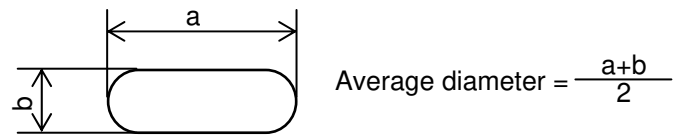


Fig 11.4

Note 1: The definitions of dot defect are as below:

- The defect area of the dot must be bigger than half of a dot.
- For bright dot-defect, showing black pattern, the dot's brightness must be over 30% brighter than others.
- For dark dot-defect, showing white pattern, the dot's brightness must be under 70% darker than others.
- The definition of 1-dot-defect is the defect-dot, which is isolated and no adjacent defect-dot.
- The definition of adjacent dot is shown as Fig. 11.5.

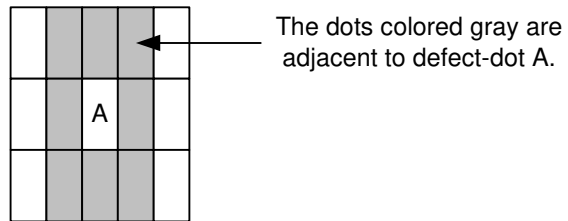


Fig. 11.5

12. PRECAUTIONS

12.1 PRECAUTIONS of ESD

- 1) Before handling the display, please ensure your body has been connected to ground to avoid any damages by ESD. Also, do not touch display's interface directly when assembling.
- 2) Please remove the protection film very slowly before turning on the display to avoid generating ESD.

12.2 PRECAUTIONS of HANDLING

- 1) In order to keep the appearance of display in good condition; please do not rub any surfaces of the displays by sharp tools harder than 3H, especially touch panel, metal frame and polarizer.
- 2) Please do not pile the displays in order to avoid any scars leaving on the display. In order to avoid any injuries, please pay more attention for the edges of glasses and metal frame, and wear finger cots to protect yourself and the display before working on it.
- 3) Touching the display area or the terminal pins with bare hand is prohibited. This is because it will stain the display area and cause poor insulation between terminal pins, and might affect display's electrical characteristics furthermore.
- 4) Do not use any harmful chemicals such as acetone, toluene, and isopropyl alcohol to clean display's surfaces.
- 5) Please use soft cloth or absorbent cotton with ethanol to clean the display by gently wiping. Moreover, when wiping the display, please wipe it by horizontal or vertical direction instead of circling to prevent leaving scars on the display's surface, especially polarizer.
- 6) Please wipe any unknown liquids immediately such as saliva, water or dew on the display to avoid color fading or any permanently damages.
- 7) Maximum pressure to the surface of the display must be less than 1.96×10^4 Pa. If the area of adding pressure is less than 1 cm^2 , the maximum pressure must be less than 1.96N.

12.3 PRECAUTIONS OF OPERATING

- 1) Please input signals and voltages to the displays according to the values defined in the section of electrical characteristics to obtain the best performance. Any voltages over than absolute maximum rating will cause permanent damages to this display. Also, any timing of the signals out of this specification would cause unexpected performance.
- 2) When the display is operating at significant low temperature, the response time will be slower than it at 25°C . In high temperature, the color will be slightly dark and blue compared to original pattern. However, these are temperature-related phenomenon of LCD and it will not cause permanent damages to the display when used within the operating temperature.
- 3) The use of screen saver or sleep mode is recommended when static images are likely for long periods of time. This is to avoid the possibility of image sticking.
- 4) Spike noise can cause malfunction of the circuit. The recommended limitation of spike noise is no bigger than $\pm 100 \text{ mV}$.

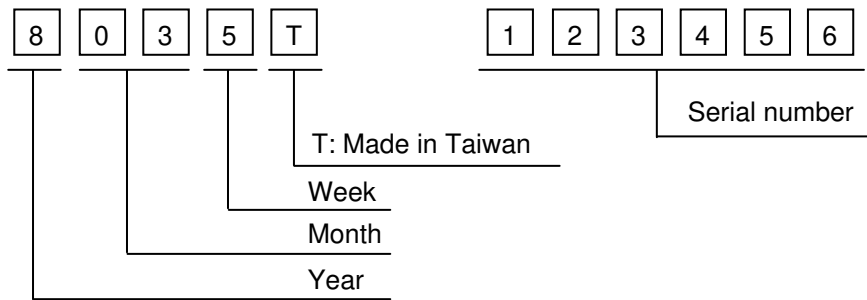
12.4 PRECAUTIONS of STORAGE

If the displays are going to be stored for years, please be aware the following notices.

- 1) Please store the displays in a dark room to avoid any damages from sunlight and other sources of UV light.
- 2) The recommended long-term storage temperature is between $10\text{C}^{\circ} \sim 35\text{C}^{\circ}$ and 55%~75% humidity to avoid causing bubbles between polarizer and LCD glasses, and polarizer peeling from LCD glasses.
- 3) It would be better to keep the displays in the container, which is shipped from KOE, and do not unpack it.
- 4) Please do not stick any labels on the display surface for a long time, especially on the polarizer.

13. DESIGNATION of LOT MARK

1) The lot mark is showing in Fig.13.3. First 4 digits are used to represent production lot, T represented made in Taiwan, and the last 6 digits are the serial number.



2) The tables as below are showing what the first 4 digits of lot mark are shorted for.

Year	Mark
2014	4
2015	5
2016	6
2017	7
2018	8

Month	Mark	Month	Mark
1	01	7	07
2	02	8	08
3	03	9	09
4	04	10	10
5	05	11	11
6	06	12	12

Week (Days)	Mark
1~7	1
8~14	2
15~21	3
22~28	4
29~31	5

3) Except letters I and O, revision number will be shown on lot mark and following letters A to Z.

REV.No	ITEM	REMARKS
A	-	-
B	LCD front end production line change Backlight material change	PCN 0890
C	LCD production re-location	PCN 0987

4) The location of the lot mark is on the back of the display shown in Fig. 13.3.

Label example:

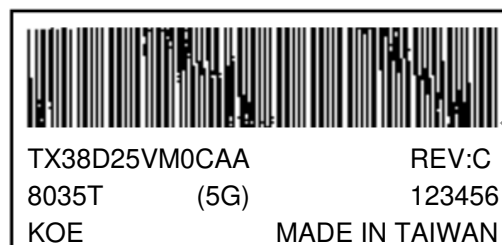


Fig 13.3