

# KOE

---

## JDI Group

Kaohsiung Opto-Electronics Inc.

FOR MESSRS : \_\_\_\_\_

DATE : Feb. 1<sup>st</sup> ,2017

### CUSTOMER'S ACCEPTANCE SPECIFICATIONS

### TX31D200VM0BAA

#### Contents

No.	ITEM	SHEET No.	PAGE
1	COVER	7B64PS 2701-TX31D200VM0BAA-3	1-1/1
2	RECORD OF REVISION	7B64PS 2702-TX31D200VM0BAA-3	2-1/1
3	GENERAL DATA	7B64PS 2703-TX31D200VM0BAA-3	3-1/1
4	ABSOLUTE MAXIMUM RATINGS	7B64PS 2704-TX31D200VM0BAA-3	4-1/1
5	ELECTRICAL CHARACTERISTICS	7B64PS 2705-TX31D200VM0BAA-3	5-1/2~2/2
6	OPTICAL CHARACTERISTICS	7B64PS 2706-TX31D200VM0BAA-3	6-1/2~2/2
7	BLOCK DIAGRAM	7B64PS 2707-TX31D200VM0BAA-3	7-1/1
8	RELIABILITY TESTS	7B64PS 2708-TX31D200VM0BAA-3	8-1/1
9	LCD INTERFACE	7B64PS 2709-TX31D200VM0BAA-3	9-1/7~7/7
10	OUTLINE DIMENSIONS	7B64PS 2710-TX31D200VM0BAA-3	10-1/2~2/2
11	APPEARANCE STANDARD	7B64PS 2711-TX31D200VM0BAA-3	11-1/3~3/3
12	PRECAUTIONS	7B64PS 2712-TX31D200VM0BAA-3	12-1/2~2/2
13	DESIGNATION OF LOT MARK	7B64PS 2713-TX31D200VM0BAA-3	13-1/1

ACCEPTED BY: \_\_\_\_\_

PROPOSED BY : *Oblack Tsai*

## 2. RECORD OF REVISION

DATE	SHEET No.	SUMMARY																																														
Apr.30,'15	7B64PS 2709 – TX31D200VM0BAA-2 Page 9-2/7	9.2 LVDS INTERFACE Revised : Diagram																																														
Feb.1,'17	7B64PS 2711 – TX31D200VM0BAA-3 Page 11-2/3~3/3	11.2 LCD APPEARANCE SPECIFICATION Revised : <table border="1" style="margin-left: 20px;"> <thead> <tr> <th></th> <th>Type</th> <th>Maximum number</th> <th rowspan="10" style="vertical-align: middle; text-align: center;">A</th> </tr> </thead> <tbody> <tr> <td rowspan="4" style="vertical-align: middle;">Dot-Defect (Note 1)</td> <td rowspan="3" style="vertical-align: middle;">Bright dot-defect</td> <td>1 dot</td> <td>4</td> </tr> <tr> <td>2 adjacent dot</td> <td>1</td> </tr> <tr> <td>3 adjacent dot or above</td> <td>Not allowed</td> </tr> <tr> <td>In total</td> <td>5</td> </tr> <tr> <td rowspan="4" style="vertical-align: middle;">Dark dot-defect</td> <td>1 dot</td> <td>5</td> </tr> <tr> <td>2 adjacent dot</td> <td>2</td> </tr> <tr> <td>3 adjacent dot or above</td> <td>Not allowed</td> </tr> <tr> <td>In total</td> <td>5</td> </tr> <tr> <td colspan="2" style="text-align: center;">In total</td> <td>10</td> </tr> </tbody> </table> <p style="text-align: center;">↓</p> <table border="1" style="margin-left: 20px;"> <thead> <tr> <th></th> <th>Type</th> <th>Maximum number</th> <th rowspan="6" style="vertical-align: middle; text-align: center;">A</th> </tr> </thead> <tbody> <tr> <td rowspan="5" style="vertical-align: middle;">Dot-Defect (Note 1)</td> <td>Bright dot-defect</td> <td>1 dot</td> <td>0</td> </tr> <tr> <td rowspan="3" style="vertical-align: middle;">Dark dot-defect</td> <td>1 dot</td> <td>5</td> </tr> <tr> <td>2 adjacent dot</td> <td>2</td> </tr> <tr> <td>3 adjacent dot or above</td> <td>Not allowed</td> </tr> <tr> <td>In total</td> <td>5</td> </tr> <tr> <td colspan="2" style="text-align: center;">In total</td> <td>5</td> </tr> </tbody> </table> <p>Note 1 : Revise The definitions of dot defect</p>		Type	Maximum number	A	Dot-Defect (Note 1)	Bright dot-defect	1 dot	4	2 adjacent dot	1	3 adjacent dot or above	Not allowed	In total	5	Dark dot-defect	1 dot	5	2 adjacent dot	2	3 adjacent dot or above	Not allowed	In total	5	In total		10		Type	Maximum number	A	Dot-Defect (Note 1)	Bright dot-defect	1 dot	0	Dark dot-defect	1 dot	5	2 adjacent dot	2	3 adjacent dot or above	Not allowed	In total	5	In total		5
	Type	Maximum number	A																																													
Dot-Defect (Note 1)	Bright dot-defect	1 dot		4																																												
		2 adjacent dot		1																																												
		3 adjacent dot or above		Not allowed																																												
	In total	5																																														
Dark dot-defect	1 dot	5																																														
	2 adjacent dot	2																																														
	3 adjacent dot or above	Not allowed																																														
	In total	5																																														
In total		10																																														
	Type	Maximum number	A																																													
Dot-Defect (Note 1)	Bright dot-defect	1 dot		0																																												
	Dark dot-defect	1 dot		5																																												
		2 adjacent dot		2																																												
		3 adjacent dot or above		Not allowed																																												
	In total	5																																														
In total		5																																														

### 3. GENERAL DATA

#### 3.1 DISPLAY FEATURES

This module is a 12.3" HSXGA of 8:3 format of amorphous silicon TFT. The pixel format is vertical stripe and sub pixels are arranged as R(red), G(green), B(blue) sequentially .This display is RoHS compliant , and COG (chip on glass) technology and LED backlight are applied on this display.

Part Name	TX31D200VM0BAA
Module Dimensions	320.0(W) mm x 130.0(H) mm x 12.1 (D) mm
LCD Active Area	291.84(W) mm x 109.44(H) mm
Pixel Pitch	0.228(W) mm x 0.228(H) mm
Resolution	1280 x 3(RGB)(W) x 480(H) Dots
Color Pixel Arrangement	R, G, B Vertical stripe
LCD Type	Transmissive Color TFT; Normally Black
Display Type	Active Matrix
Number of Colors	16.7M Colors (8-bit RGB)
Backlight	Light Emitting Diode (LED)
Weight	540 g
Interface	LVDS ; 20 pins
Power Supply Voltage	3.3V for LCD; 12.0V for Backlight
Power Consumption	1.7 W for LCD ;8.2W for backlight
Viewing Direction	Super Wide Version (In Plane Switching)

## 4. ABSOLUTE MAXIMUM RATINGS

Item	Symbol	Min.	Max.	Unit	Remarks
Supply Voltage	$V_{DD}$	-0.3	4.0	V	-
Input Voltage of Logic	$V_I$	-0.3	$V_{DD}+0.3$	V	Note 1
Operating Temperature	$T_{op}$	-30	80	°C	Note 2
Storage Temperature	$T_{st}$	-40	90	°C	Note 2
Backlight Input Voltage	$V_{LED}$	-	15	V	-

Note 1: The rating is defined for the signal voltages of the interface such as CLK and pixel data pairs.

Note 2: The maximum rating is defined as above based on the chamber temperature, which might be different from ambient temperature after assembling the panel into the application. Moreover, some temperature-related phenomenon as below needed to be noticed:

- Background color, contrast and response time would be different in temperatures other than 25°C.
- Operating under high temperature will shorten LED lifetime.

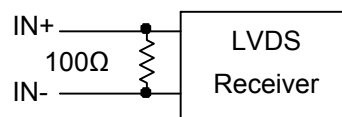
# 5. ELECTRICAL CHARACTERISTICS

## 5.1 LCD CHARACTERISTICS

$T_a = 25\text{ }^\circ\text{C}$ ,  $V_{SS} = 0\text{V}$

Item	Symbol	Condition	Min.	Typ.	Max.	Unit	Remarks
Power Supply Voltage	$V_{DD}$	-	3.0	3.3	3.6	V	-
Input Voltage of Logic	$V_I$	"H" level	-	-	+100	mV	Note 1
		"L" level	-100	-	-		
Power Supply Current	$I_{DD}$	$V_{DD}-V_{SS}=3.3\text{V}$	-	520	620	mA	Note 2,3
Frame Frequency	$f_{Frame}$	-	55	60	65	Hz	-
CLK Frequency	$f_{CLK}$	-	39.6	43.2	46.8	MHz	

Note 1: VCM 1.2V is common mode voltage of LVDS transmitter and receiver. The input terminal of LVDS receiver is terminated with  $100\Omega$ .



Note 2: An all white pattern is used when measuring  $I_{DD}$ .  $f_{Frame}$  is set to 60Hz.

Note 3: 1.0A fuse is applied in the module for  $I_{DD}$ . For display activation and protection purpose, power supply is recommended larger than 2.5A to start the display and break fuse once any short circuit occurred.

## 5.2 BACKLIGHT CHARACTERISTICS

$T_a = 25^\circ C$

Item	Symbol	Condition	Min.	Typ.	Max.	Unit	Remarks
LED Input Voltage	$V_{LED}$	-	11.5	12.0	12.5	V	Note1
LED Forward Current	$I_{LED}$	0V; 0% duty	650	680	710	mA	Note 2
		3.3VDC; 100% Duty	10	20	30		
LED lifetime	-	$I_{LED}=680\text{ mA}$	-	70K	-	hrs	Note 3

Note 1: As Fig. 5.1 shown LED current is constant, 680 mA, controlled by the LED driver when applying 12V  $V_{LED}$ .

Note 2: Dimming function can be obtained by applying DC voltage or PWM signal from the display interface CN1. The recommended PWM signal is 1K ~10K Hz with 3.3V amplitude.

Note 3: The estimated lifetime is specified as the time to reduce 50% brightness by applying 680 mA at  $25^\circ C$ .

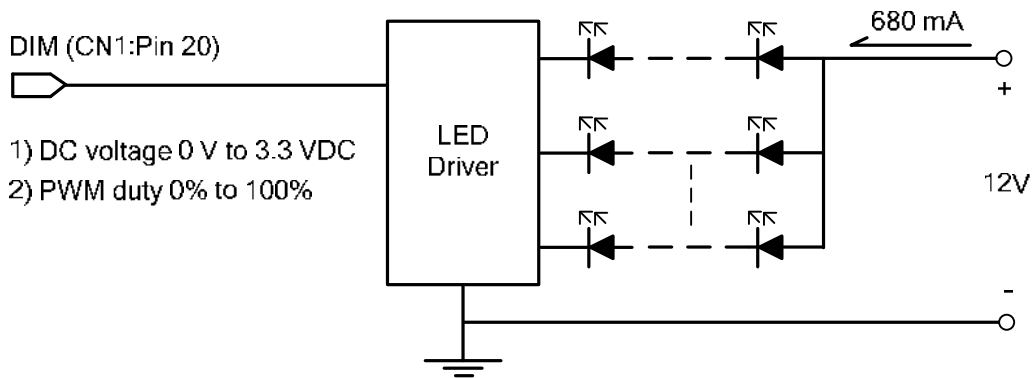


Fig 5.1

# 6. OPTICAL CHARACTERISTICS

The optical characteristics are measured based on the conditions as below:

- Supplying the signals and voltages defined in the section of electrical characteristics.
- The backlight unit needs to be turned on for 30 minutes.
- The ambient temperature is 25 °C .
- In the dark room less than 100 lx, the equipment has been set for the measurements as shown in Fig 6.1.

$$T_a = 25\text{ }^\circ\text{C}, f_{Frame} = 60\text{ Hz}, V_{DD} = 3.3\text{V}$$

Item	Symbol	Condition	Min.	Typ.	Max.	Unit	Remarks	
Brightness of White	-	$\phi = 0^\circ, \theta = 0^\circ,$ $I_{LED} = 680\text{mA}$	800	1000	-	cd/m <sup>2</sup>	Note 1	
Brightness Uniformity	-		70	-	-	%	Note 2	
Contrast Ratio	CR		500	1000	-	-	Note 3	
Response Time	Tr + Tf	$\phi = 0^\circ, \theta = 0^\circ$	-	25	-	ms	Note 4	
NTSC Ratio	-	$\phi = 0^\circ, \theta = 0^\circ$	-	70	-	%	-	
Viewing Angle	$\theta_x$	$\phi = 0^\circ, CR \geq 10$	-	85	-	Degree	Note 5	
	$\theta_{x'}$	$\phi = 180^\circ, CR \geq 10$	-	85	-			
	$\theta_y$	$\phi = 90^\circ, CR \geq 10$	-	85	-			
	$\theta_{y'}$	$\phi = 270^\circ, CR \geq 10$	-	85	-			
Color Chromaticity	Red	X	$\phi = 0^\circ, \theta = 0^\circ$	0.60	0.65	0.70	-	Note 6
		Y		0.27	0.32	0.37		
	Green	X		0.25	0.30	0.35		
		Y		0.56	0.61	0.66		
	Blue	X		0.09	0.14	0.19		
		Y		0.05	0.10	0.15		
	White	X		0.24	0.29	0.34		
		Y		0.26	0.31	0.36		

Note 1: The brightness is measured from 9 point of the panel, P1~P9 in Fig. 6.2, for the average value.

Note 2: The brightness uniformity is calculated by the equation as below:

$$\text{Brightness uniformity} = \frac{\text{Min. Brightness}}{\text{Max. Brightness}} \times 100\%$$

which is based on the brightness values of the 9 points in active area measured by BM-5 as shown in Fig. 6.2.

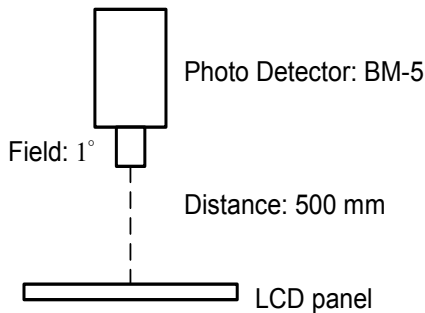


Fig 6.1

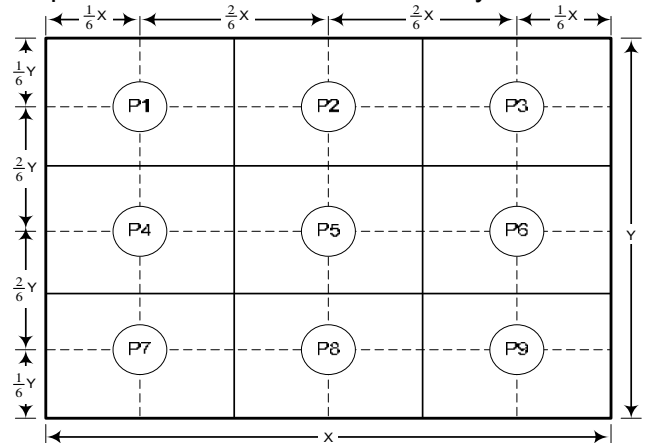


Fig 6.2

Note 3: The Contrast Ratio is measured from the center point of the panel, P5, and defined as the following equation:

$$CR = \frac{\text{Brightness of White}}{\text{Brightness of Black}}$$

Note 4: The definition of response time is shown in Fig. 6.3. The rising time is the period from 10% brightness to 90% brightness when the data is from black to white. Oppositely, Falling time is the period from 90% brightness falling to 10% brightness.

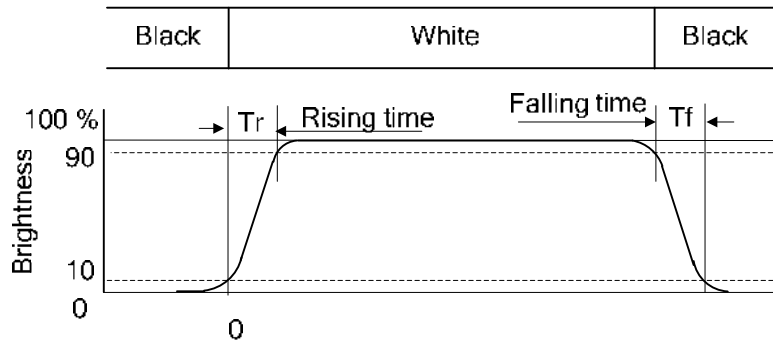


Fig 6.3

Note 5: The definition of viewing angle is shown in Fig. 6.4. Angle  $\phi$  is used to represent viewing directions, for instance,  $\phi = 270^\circ$  means 6 o'clock, and  $\phi = 0^\circ$  means 3 o'clock. Moreover, angle  $\theta$  is used to represent viewing angles from axis Z toward plane XY.

The display is super wide viewing angle version;  $85^\circ$  viewing angle can be obtained from each viewing direction.

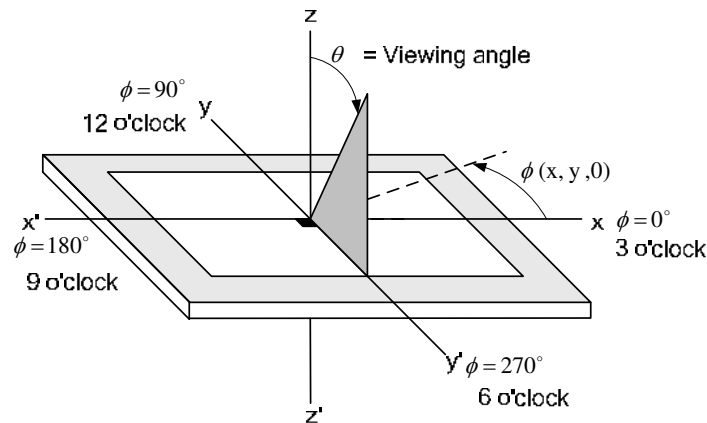
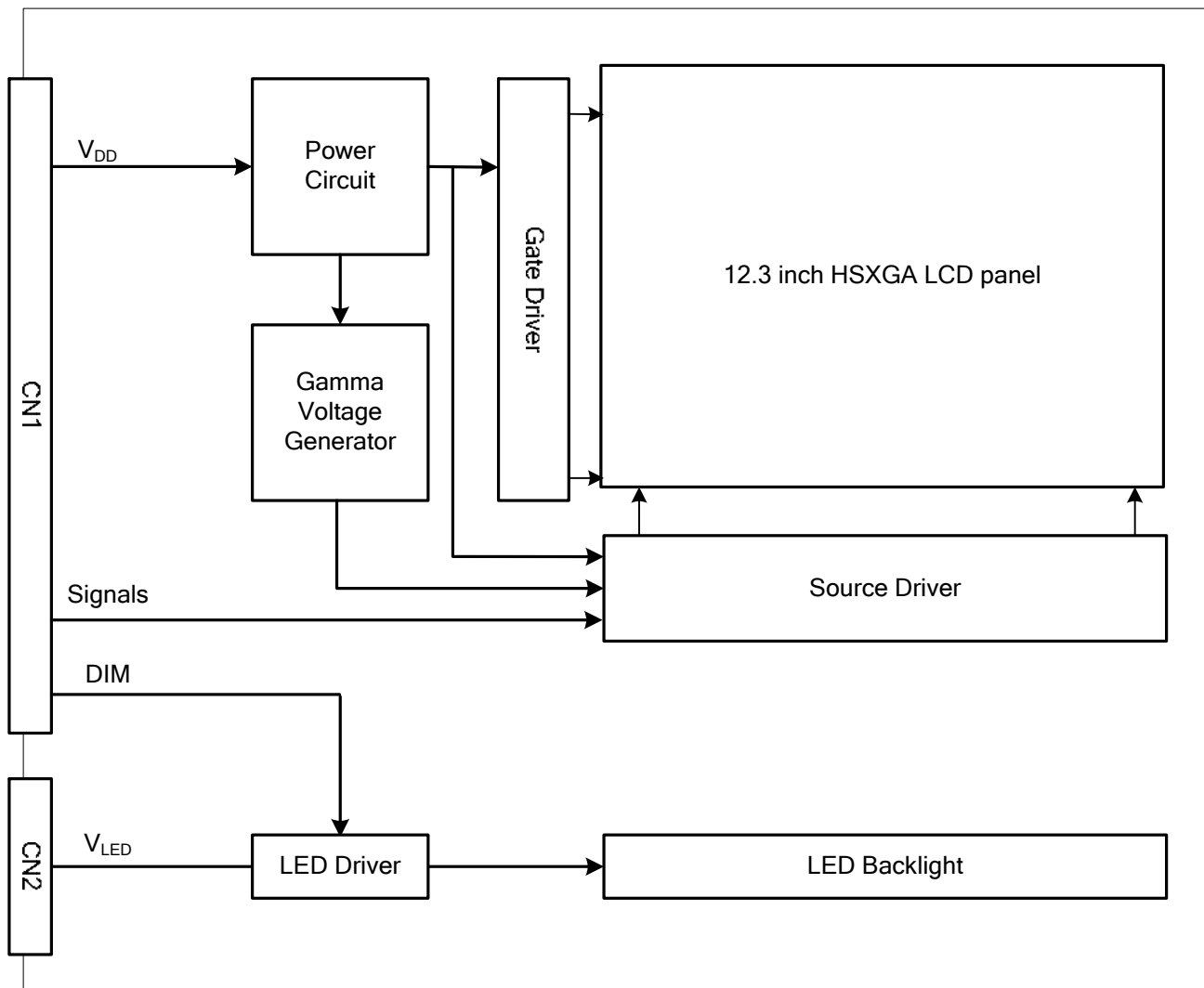


Fig 6.4

Note 6: The color chromaticity is measured from the center point of the panel, P5, as shown in Fig. 6.2.



## 7. BLOCK DIAGRAM



Note : Signals are CLK and pixel data pairs.

## 8. RELIABILITY TESTS

Test Item	Condition	
High Temperature	1) Operating 2) 80 °C	500 hrs
Low Temperature	1) Operating 2) -30 °C	500 hrs
High Temperature	1) Storage 2) 90 °C	500 hrs
Low Temperature	1) Storage 2) -40 °C	500 hrs
Heat Cycle	1) Operating 2) -30 °C ~80 °C 3) 3hrs~1hr~3hrs	500 hrs
Thermal Shock	1) Non-Operating 2) -35 °C ↔ 85 °C 3) 0.5 hr ↔ 0.5 hr	500 hrs
High Temperature & Humidity	1) Operating 2) 40 °C & 85%RH 3) Without condensation	500 hrs (Note 3)
Vibration	1) Non-Operating 2) 10~200 Hz 3) 5G 4) X, Y, and Z directions	1 hr for each direction
Mechanical Shock	1) Non-Operating 2) 10 ms 3) 80G 4) ±X, ±Y and ±Z directions	Once for each direction
ESD	1) Operating 2) Tip: 150 pF, 330 Ω 3) Air discharge for glass: ±12KV 4) Contact discharge for metal frame: ±15KV	1) Glass: 9 points 2) Metal frame: 8 points (Note4)

Note 1: Display functionalities are inspected under the conditions defined in the specification after the reliability tests.

Note 2: The display is not guaranteed for use in corrosive gas environments.

Note 3: Under the condition of high temperature & humidity, if the temperature is higher than 40 °C, the humidity needs to be reduced as Fig. 8.1 shown.

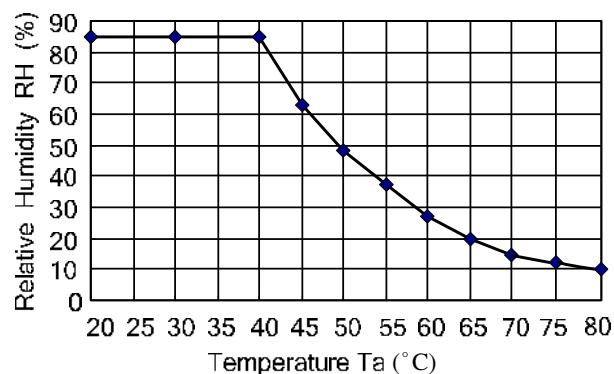


Fig. 8.1

Note 4: All pins of LCD interface (CN1) have been tested by ±100V contact discharge of ESD under non-operating condition.

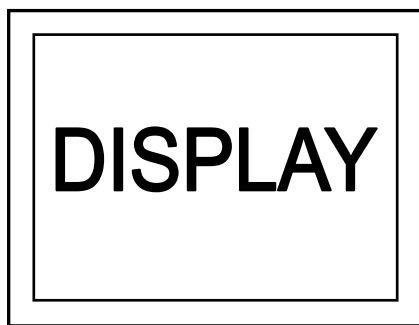
## 9. LCD INTERFACE

### 9.1 INTERFACE PIN CONNECTIONS

The display interface connector CN1 is FI-SEB20P-HF13E made by JAE and pin assignment is as below:

Pin No.	Signal	Signal	Pin No.	Signal	Signal
1	V <sub>DD</sub>	Power Supply for Logic	11	IN2-	Pixel Data
2	V <sub>DD</sub>		12	IN2+	
3	V <sub>SS</sub>	GND	13	V <sub>SS</sub>	GND
4	V <sub>SS</sub>		14	CLK IN-	Pixel Clock
5	IN0-	Pixel Data	15	CLK IN+	
6	IN0+		16	V <sub>SS</sub>	GND
7	V <sub>SS</sub>	GND	17	IN3-	Pixel Data
8	IN1-	Pixel Data	18	IN3+	
9	IN1+		19	SD	Scan Direction Control (Note 1)
10	V <sub>SS</sub>	GND	20	DIM	Brightness dimming (Note 3)

Note 1: Scan direction is available to be switched as below.



SD : Low or Open (Default)



SD : High

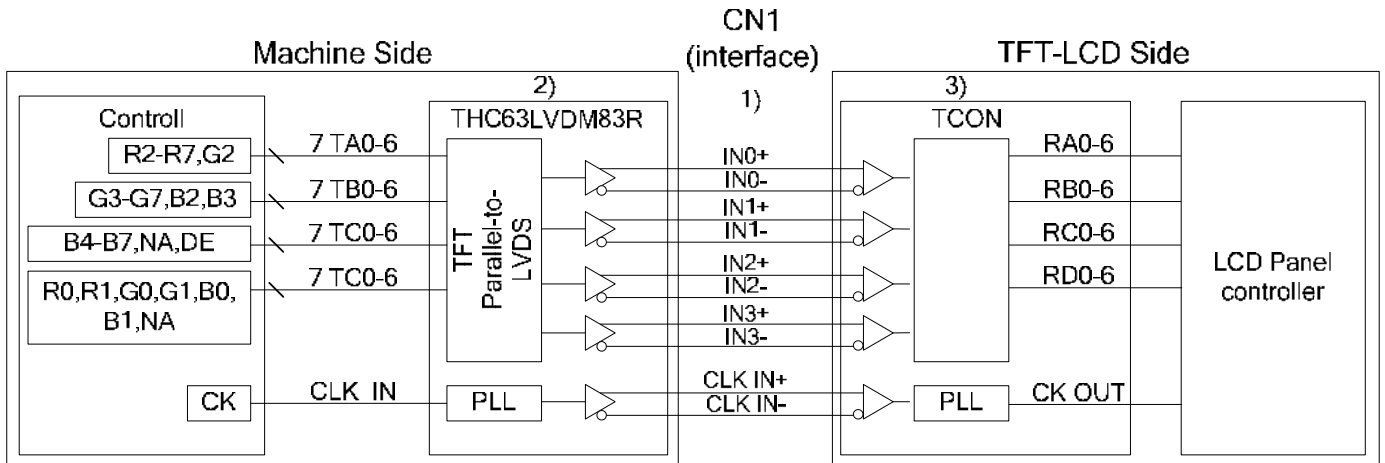
Note 2: IN<sub>n</sub>- and IN<sub>n</sub>+ (n=0,1,2,3), CLK IN- and CLK IN+ should be wired by twist-pairs or side-by-side FPC patterns, respectively.

Note 3: Normal brightness: 0V or 100% PWM duty ; Brightness control: 0V to 3.3V DC or 0% to 100% PWM duty.

The backlight interface connector CN2 is SM02(8.0)B-BHS-1-TB made by JST, and pin assignment is as below:

Pin No.	Signal	Level	Function
1	V <sub>LED+</sub>	-	Power Supply for LED
2	V <sub>LED-</sub>	-	GND

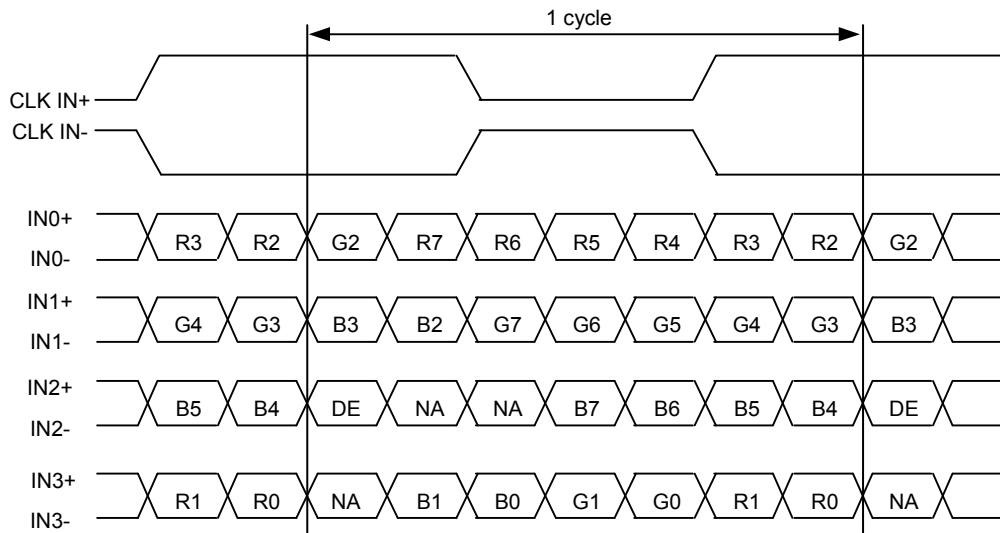
## 9.2 LVDS INTERFACE



Note 1: LVDS cable impedance should be 100 ohms per signal line when each 2-lines (+,-) is used in differential mode.

Note 2: The recommended transmitter, THC63LVDM83R, is made by Thine or equivalent, which is not contained in the module.

## 9.3 LVDS DATA FORMAT



DE: Display Enable

NA: Not Available

## 9.4 TIMING CHART

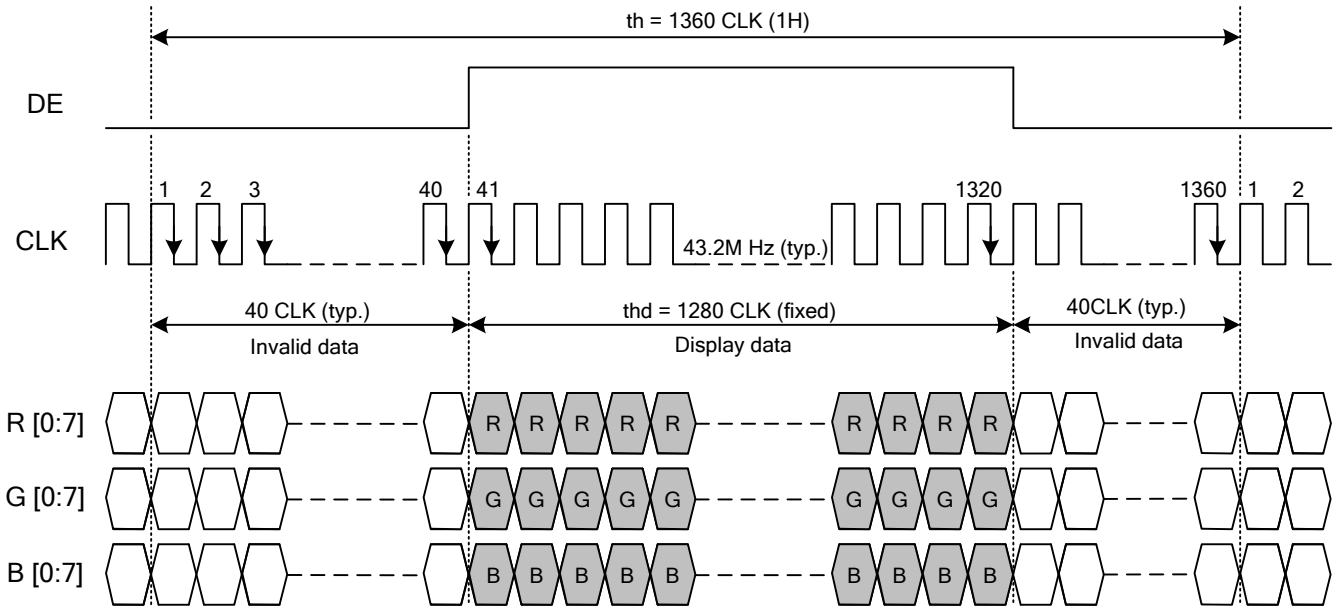


Fig. 9.1 Horizontal Timing

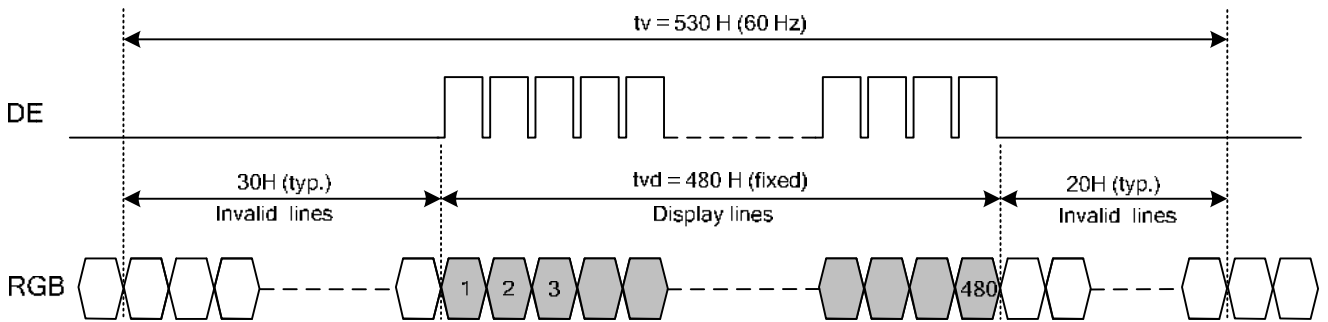


Fig. 9.2 Vertical Timing

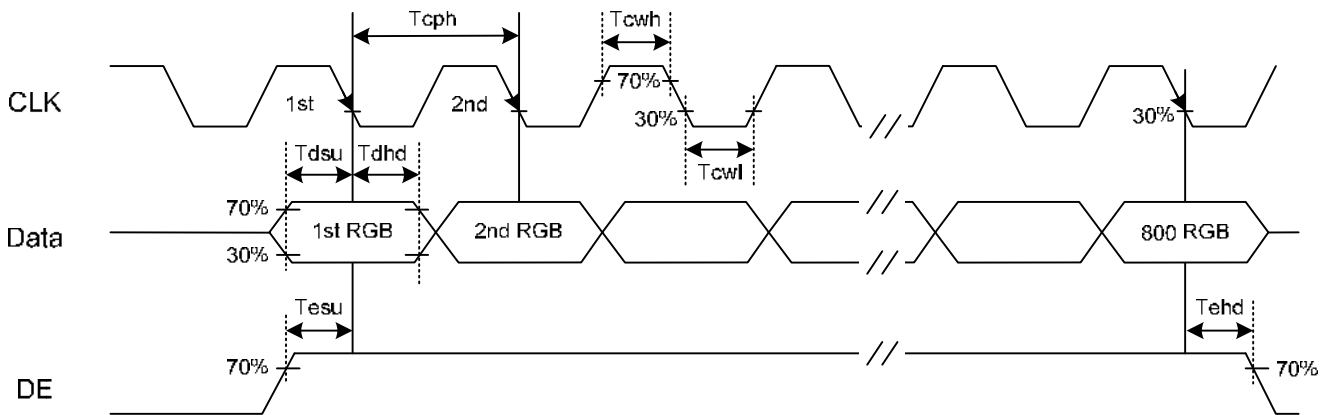


Fig. 9.3 Setup & Hold Time

## 9.5 TIME TABLE

The column of timing sets including minimum, typical, and maximum as below are based on the best optical performance, frame frequency (Vsync) = 60 Hz to define. If 60 Hz is not the aim to set, less than 65 Hz for Vsync is recommended to apply for better performance by other parameter combination as the definitions in section 5.1.

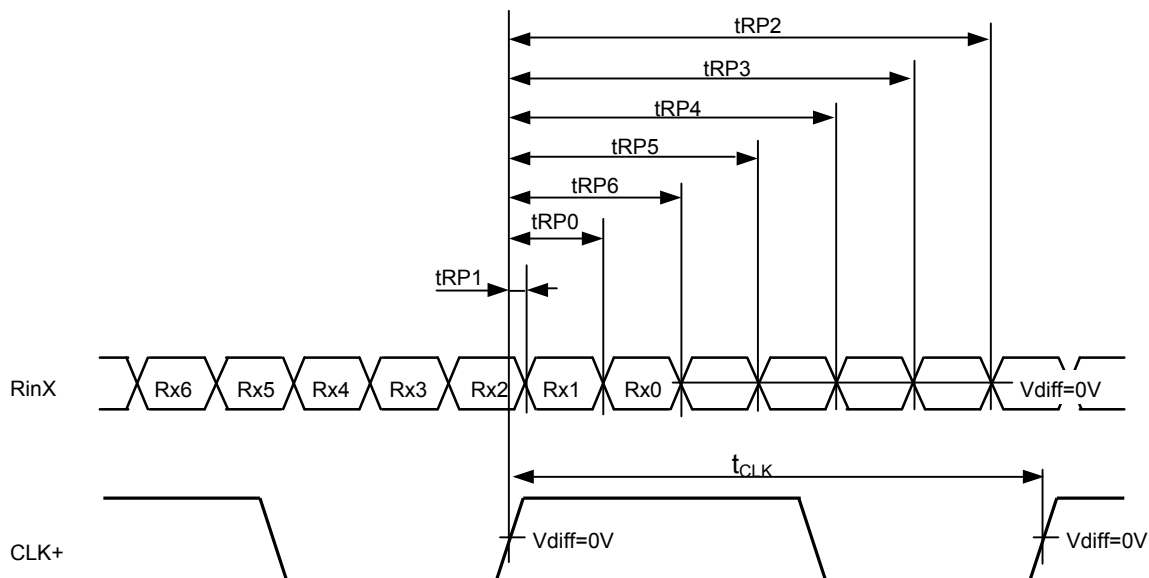
### A. Horizontal and Vertical Timing

Item		Symbol	Min.	Typ.	Max.	Unit
Horizontal	CLK Frequency	fclk	39.6	43.2	48	M Hz
	Display Data	thd	1280			CLK
	Cycle Time	th	1320	1360	1400	
Vertical	Display Data	tvd	480			H
	Cycle Time	tv	500	530	555	

### B. Setup and Hold Time

Item		Symbol	Min.	Typ.	Max.	Unit
CLK	Duty	Tcwh	40	50	60	%
	Cycle Time	Tcph	18.5	23	-	ns
Data	Setup Time	Tdsu	8	-	-	
	Hold Time	Tdhd	8	-	-	
DE	Setup Time	Tesu	8	-	-	
	Hold Time	Tehd	8	-	-	

## 9.6 LVDS RECEIVER TIMING



$$RinX = (RinX+) - (RinX-) \quad (X=0, 1, 2, 3)$$

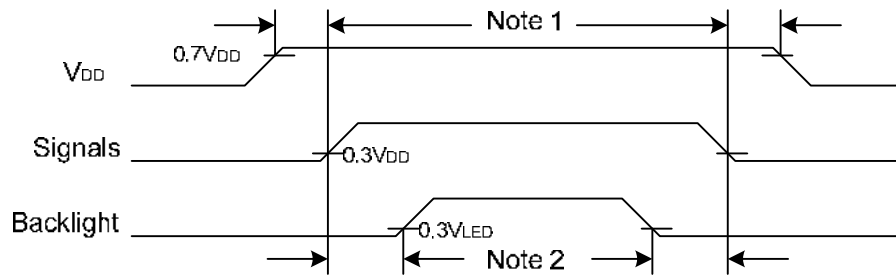
	Item	Symbol	Min.	Typ.	Max.	Unit
CLK	Cycle frequency	$1/t_{CLK}$	39.6	43.2	48	MHz
RinX (X=0,1,2,3)	0 data position	$t_{RP0}$	$1/7 * t_{CLK} - 0.4$	$1/7 * t_{CLK}$	$1/7 * t_{CLK} + 0.4$	ns
	1st data position	$t_{RP1}$	-0.4	0	+0.4	
	2nd data position	$t_{RP2}$	$6/7 * t_{CLK} - 0.4$	$6/7 * t_{CLK}$	$6/7 * t_{CLK} + 0.4$	
	3rd data position	$t_{RP3}$	$5/7 * t_{CLK} - 0.4$	$5/7 * t_{CLK}$	$5/7 * t_{CLK} + 0.4$	
	4th data position	$t_{RP4}$	$4/7 * t_{CLK} - 0.4$	$4/7 * t_{CLK}$	$4/7 * t_{CLK} + 0.4$	
	5th data position	$t_{RP5}$	$3/7 * t_{CLK} - 0.4$	$3/7 * t_{CLK}$	$3/7 * t_{CLK} + 0.4$	
	6th data position	$t_{RP6}$	$2/7 * t_{CLK} - 0.4$	$2/7 * t_{CLK}$	$2/7 * t_{CLK} + 0.4$	

## 9.7 DATA INPUT for DISPLAY COLOR

Input		Red Data								Green Data								Blue Data							
		R7	R6	R5	R4	R3	R2	R1	R0	G7	G6	G5	G4	G3	G2	G1	G0	B7	B6	B5	B4	B3	B2	B1	B0
color		MSB				LSB				MSB				LSB				MSB				LSB			
Basic Color	Black	0	0	0	0	0	0	0	0	0	0	0	0	0	0	0	0	0	0	0	0	0	0	0	0
	Red(255)	1	1	1	1	1	1	1	1	0	0	0	0	0	0	0	0	0	0	0	0	0	0	0	
	Green(255)	0	0	0	0	0	0	0	0	1	1	1	1	1	1	1	0	0	0	0	0	0	0	0	
	Blue(255)	0	0	0	0	0	0	0	0	0	0	0	0	0	0	0	1	1	1	1	1	1	1	1	
	Cyan	0	0	0	0	0	0	0	0	1	1	1	1	1	1	1	1	1	1	1	1	1	1	1	
	Magenta	1	1	1	1	1	1	1	1	0	0	0	0	0	0	0	1	1	1	1	1	1	1	1	
	Yellow	1	1	1	1	1	1	1	1	1	1	1	1	1	1	1	0	0	0	0	0	0	0	0	
	White	1	1	1	1	1	1	1	1	1	1	1	1	1	1	1	1	1	1	1	1	1	1	1	
Red	Black	0	0	0	0	0	0	0	0	0	0	0	0	0	0	0	0	0	0	0	0	0	0	0	
	Red(1)	0	0	0	0	0	0	0	1	0	0	0	0	0	0	0	0	0	0	0	0	0	0	0	
	Red(2)	0	0	0	0	0	0	1	0	0	0	0	0	0	0	0	0	0	0	0	0	0	0	0	
	:	:	:	:	:	:	:	:	:	:	:	:	:	:	:	:	:	:	:	:	:	:	:	:	
	:	:	:	:	:	:	:	:	:	:	:	:	:	:	:	:	:	:	:	:	:	:	:	:	
	Red(253)	1	1	1	1	1	1	0	1	0	0	0	0	0	0	0	0	0	0	0	0	0	0	0	
	Red(254)	1	1	1	1	1	1	1	0	0	0	0	0	0	0	0	0	0	0	0	0	0	0	0	
	Red(255)	1	1	1	1	1	1	1	1	0	0	0	0	0	0	0	0	0	0	0	0	0	0	0	
Green	Black	0	0	0	0	0	0	0	0	0	0	0	0	0	0	0	0	0	0	0	0	0	0	0	
	Green(1)	0	0	0	0	0	0	0	0	0	0	0	0	0	0	1	0	0	0	0	0	0	0	0	
	Green(2)	0	0	0	0	0	0	0	0	0	0	0	0	0	1	0	0	0	0	0	0	0	0	0	
	:	:	:	:	:	:	:	:	:	:	:	:	:	:	:	:	:	:	:	:	:	:	:	:	
	:	:	:	:	:	:	:	:	:	:	:	:	:	:	:	:	:	:	:	:	:	:	:	:	
	Green(253)	0	0	0	0	0	0	0	0	1	1	1	1	1	1	0	1	0	0	0	0	0	0	0	
	Green(254)	0	0	0	0	0	0	0	0	1	1	1	1	1	1	0	0	0	0	0	0	0	0	0	
	Green(255)	0	0	0	0	0	0	0	0	1	1	1	1	1	1	1	0	0	0	0	0	0	0	0	
Blue	Black	0	0	0	0	0	0	0	0	0	0	0	0	0	0	0	0	0	0	0	0	0	0	0	
	Blue(1)	0	0	0	0	0	0	0	0	0	0	0	0	0	0	0	0	0	0	0	0	0	0	1	
	Blue(2)	0	0	0	0	0	0	0	0	0	0	0	0	0	0	0	0	0	0	0	0	0	1	0	
	:	:	:	:	:	:	:	:	:	:	:	:	:	:	:	:	:	:	:	:	:	:	:	:	
	:	:	:	:	:	:	:	:	:	:	:	:	:	:	:	:	:	:	:	:	:	:	:	:	
	Blue(253)	0	0	0	0	0	0	0	0	0	0	0	0	0	0	0	1	1	1	1	1	1	0	1	
	Blue(254)	0	0	0	0	0	0	0	0	0	0	0	0	0	0	0	1	1	1	1	1	1	1	0	
	Blue(255)	0	0	0	0	0	0	0	0	0	0	0	0	0	0	0	1	1	1	1	1	1	1	1	



## 9.8 POWER SEQUENCE

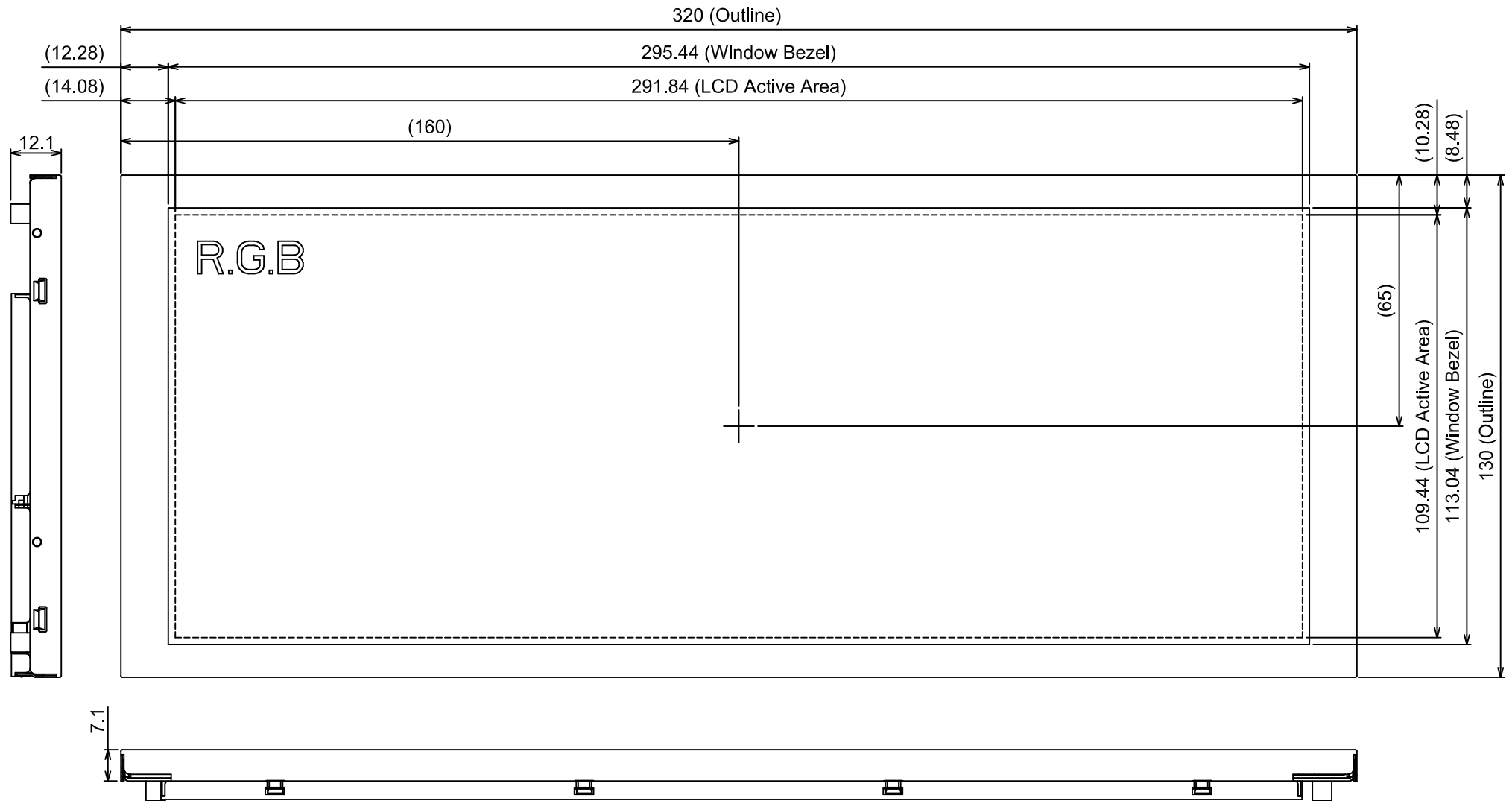


Note 1: In order to avoid any damages, V<sub>DD</sub> has to be applied before all other signals. The opposite is true for power off where V<sub>DD</sub> has to be remained on until all other signals have been switch off. The recommended time period is 1 second. Hot plugging might cause display damage due to incorrect power sequence, please pay attention on interface connecting before power on.

Note 2: In order to avoid showing uncompleted patterns in transient state. It is recommended that switching the backlight on is delayed for 1 second after the signals have been applied. The opposite is true for power off where the backlight has to be switched off 1 second before the signals are removed.

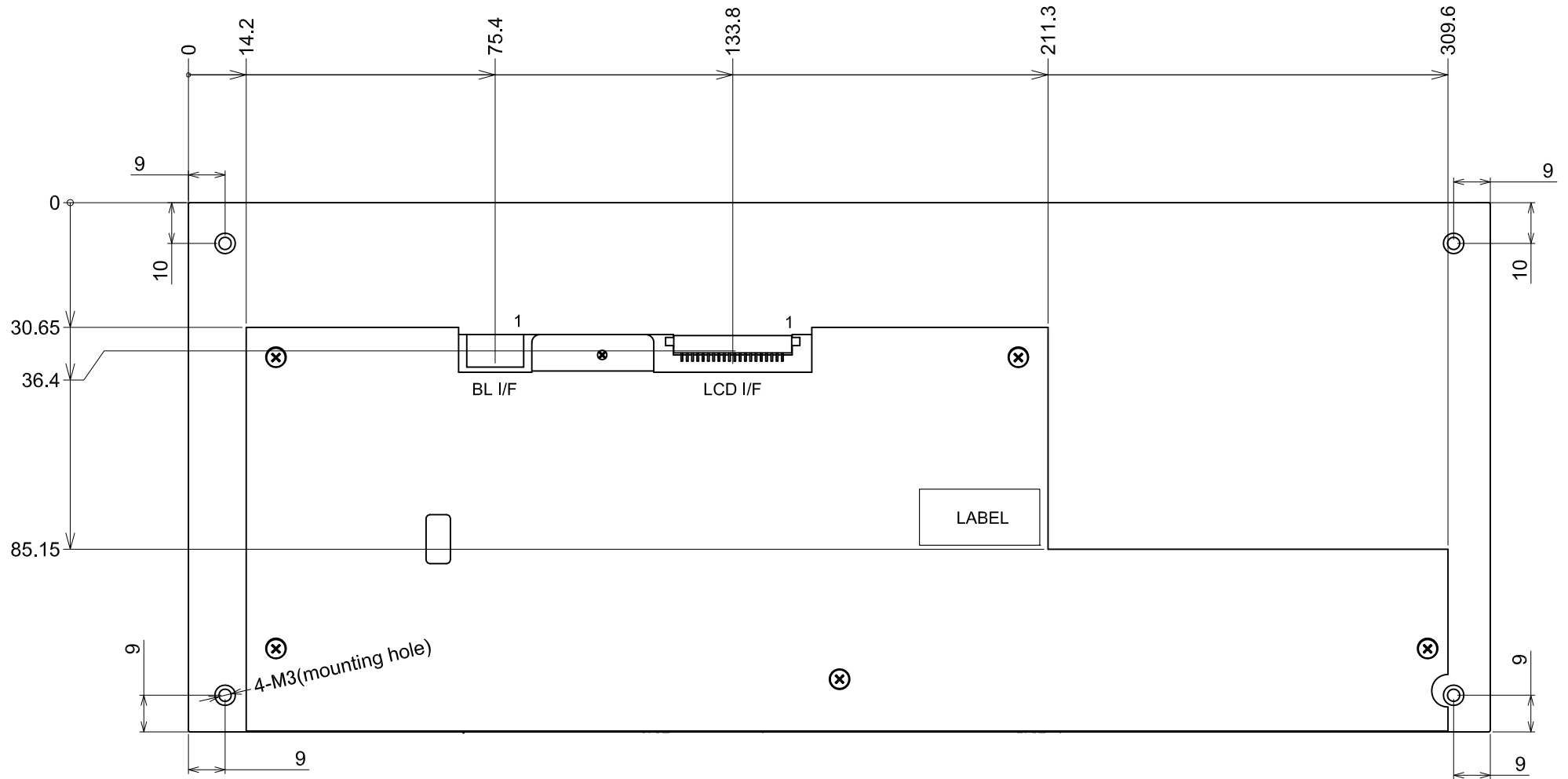
# 10. OUTLINE DIMENSIONS

## 10.1 FRONT VIEW



General Tolerance: ±0.5mm  
 Scale : NTS  
 Unit : mm

# 10.2 RAER VIEW



General Tolerance: ±0.5mm  
 Scale : NTS  
 Unit : mm

# 11. APPEARANCE STANDARD

The appearance inspection is performed in a room around 500~1000 lx based on the conditions as below:

- The distance between inspector's eyes and display is 30 cm.
- The viewing zone is defined with angle  $\theta$  shown in Fig. 11.1 The inspection should be performed within  $45^\circ$  when display is shut down. The inspection should be performed within  $5^\circ$  when display is power on.

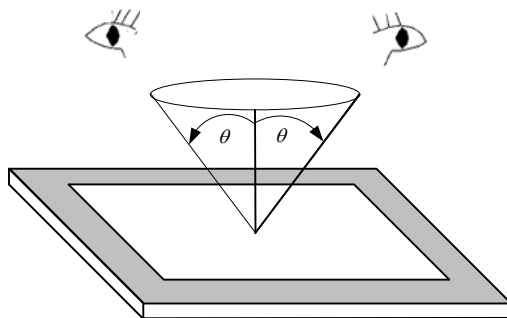


Fig. 11.1

## 11.1 THE DEFINITION OF LCD ZONE

LCD panel is divided into 3 areas as shown in Fig.11.2 for appearance specification in next section. A zone is the LCD active area (dot area); B zone is the area between A zone and metal frame.

In terms of housing design, B zone is the recommended window area customers' housing should be located in.

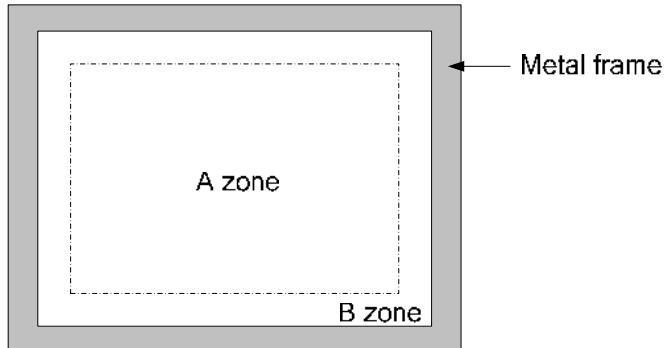


Fig. 11.2

## 11.2 LCD APPEARANCE SPECIFICATION

The specification as below is defined as the amount of unexpected phenomenon or material in different zones of LCD panel. The definitions of length, width and average diameter using in the table are shown in Fig. 11.3 and Fig. 11.4.

Item	Criteria				Applied zone	
	Length (mm)	Width (mm)	Maximum number	Minimum space		
Scratches	Ignored	$W \leq 0.02$	Ignored	-	A, B	
	$L \leq 40$	$0.02 < W \leq 0.04$	10	-		
	-	$0.04 < W$	Not allowed	-		
	Serious one is not allowed					
Dent	Serious one is not allowed				A	
Wrinkles in polarizer	Serious one is not allowed				A	
Bubbles on polarizer	Average diameter (mm)		Maximum number		A	
	$D \leq 0.3$		Ignored			
	$0.3 < D \leq 0.5$		12			
	$0.5 < D$		Not allowed			
1) Stains 2) Foreign Materials 3) Dark Spot	Filamentous (Line shape)				A, B	
	Length (mm)	Width (mm)	Maximum number			
	$L \leq 2.0$	$W \leq 0.03$	Ignored			
	$L \leq 3.0$	$0.03 < W \leq 0.05$	10			
	$L \leq 2.5$	$0.05 < W \leq 0.1$	1			
	Round (Dot shape)				A, B	
	Average diameter (mm)		Maximum number	Minimum Space		
	$D \leq 0.2$		Ignored	-		
	$0.2 < D \leq 0.3$		10	10 mm		
	$0.3 < D \leq 0.4$		5	30 mm		
	$0.4 < D$		Not allowed	-		
	In total		Filamentous + Round=10			
	Those wiped out easily are acceptable					
	Dot-Defect (Note 1)			Type	Maximum number	A
Bright dot-defect		1 dot	0			
Dark dot-defect				1 dot	5	
				2 adjacent dot	2	
				3 adjacent dot or above	Not allowed	
				In total	5	
In total				5		

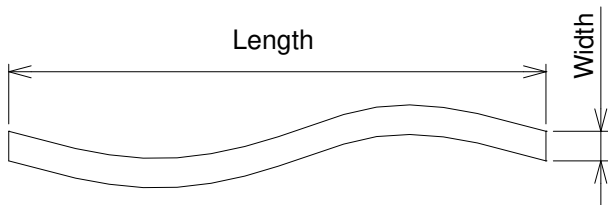


Fig 11.3

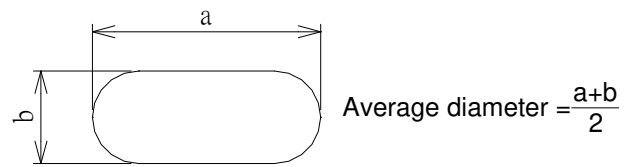


Fig 11.4

Note 1: The definitions of dot defect are as below:

- For bright dot-defect, showing black pattern, visible with 5% ND filter is defined.
- For dark dot-defect, showing white pattern, defect size over 1/2 dot area is defined.
- The definition of 1-dot-defect is the defect-dot, which is isolated and no adjacent defect-dot.
- The definition of adjacent dot is shown as Fig. 11.5.
- The Density of dot defect is defined in the area within diameter  $\phi = 10\text{mm}$ .

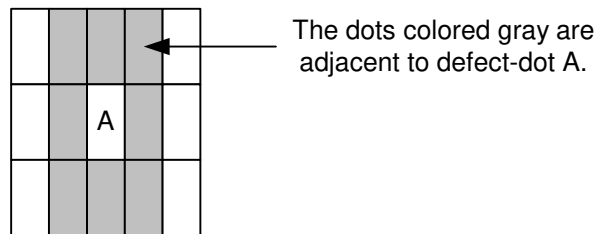


Fig. 11.5

## 12. PRECAUTIONS

### 12.1 PRECAUTIONS of ESD

- 1) Before handling the display, please ensure your body has been connected to ground to avoid any damages by ESD. Also, do not touch display's interface directly when assembling.
- 2) Please remove the protection film very slowly before turning on the display to avoid generating ESD.

### 12.2 PRECAUTIONS of HANDLING

- 1) In order to keep the appearance of display in good condition, please do not rub any surfaces of the displays by sharp tools harder than 3H, especially touch panel, metal frame and polarizer.
- 2) Please do not pile the displays in order to avoid any scars leaving on the display. In order to avoid any injuries, please pay more attention for the edges of glasses and metal frame, and wear finger cots to protect yourself and the display before working on it.
- 3) Touching the display area or the terminal pins with bare hand is prohibited. This is because it will stain the display area and cause poor insulation between terminal pins, and might affect display's electrical characteristics furthermore.
- 4) Do not use any harmful chemicals such as acetone, toluene, and isopropyl alcohol to clean display's surfaces.
- 5) Please use soft cloth or absorbent cotton with ethanol to clean the display by gently wiping. Moreover, when wiping the display, please wipe it by horizontal or vertical direction instead of circling to prevent leaving scars on the display's surface, especially polarizer.
- 6) Please wipe any unknown liquids immediately such as saliva, water or dew on the display to avoid color fading or any permanently damages.
- 7) Maximum pressure to the surface of the display must be less than  $1.96 \times 10^4$  Pa. If the area of adding pressure is less than  $1 \text{ cm}^2$ , the maximum pressure must be less than 1.96N.

### 12.3 PRECAUTIONS OF OPERATING

- 1) Please input signals and voltages to the displays according to the values defined in the section of electrical characteristics to obtain the best performance. Any voltages over than absolute maximum rating will cause permanent damages to this display. Also, any timing of the signals out of this specification would cause unexpected performance.
- 2) When the display is operating at significant low temperature, the response time will be slower than it at  $25 \text{ C}^\circ$ . In high temperature, the color will be slightly dark and blue compared to original pattern. However, these are temperature-related phenomenon of LCD and it will not cause permanent damages to the display when used within the operating temperature.
- 3) The use of screen saver or sleep mode is recommended when static images are likely for long periods of time. This is to avoid the possibility of image sticking.
- 4) Spike noise can cause malfunction of the circuit. The recommended limitation of spike noise is no bigger than  $\pm 100 \text{ mV}$ .

## 12.4 PRECAUTIONS of STORAGE

If the displays are going to be stored for years, please be aware the following notices.

- 1) Please store the displays in a dark room to avoid any damages from sunlight and other sources of UV light.
- 2) The recommended long term storage temperature is between 10 C° ~35 C° and 55%~75% humidity to avoid causing bubbles between polarizer and LCD glasses, and polarizer peeling from LCD glasses.
- 3) It would be better to keep the displays in the container, which is shipped from KOE, and do not unpack it.
- 4) Please do not stick any labels on the display surface for a long time, especially on the polarizer.



### 13. DESIGNATION of LOT MARK

1) The lot mark is showing in Fig.13.1. First 4 digits are used to represent production lot, T represented made in Taiwan, and the last 6 digits are the serial number.

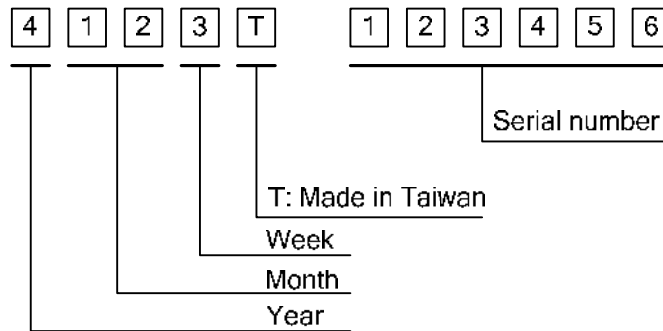


Fig. 13.1

2) The tables as below are showing what the first 4 digits of lot mark are shorted for.

Year	Lot Mark
2014	4
2015	5
2016	6
2017	7
2018	8

Month	Lot Mark	Month	Lot Mark
Jan.	01	Jul.	07
Feb.	02	Aug.	08
Mar.	03	Sep.	09
Apr.	04	Oct.	10
May	05	Nov.	11
Jun.	06	Dec.	12

Week	Lot Mark
1~7 days	1
8~14 days	2
15~21 days	3
22~28 days	4
29~31 days	5

3) Except letters I and O, revision number will be shown on lot mark and following letters A to Z.

4) The location of the lot mark is on the back of the display shown in Fig. 13.2.

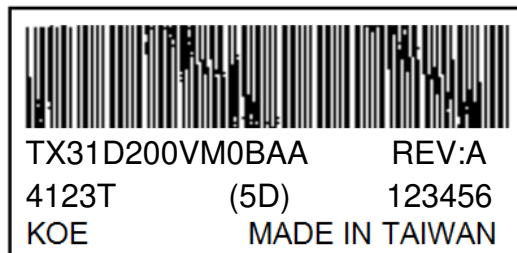


Fig. 13.2